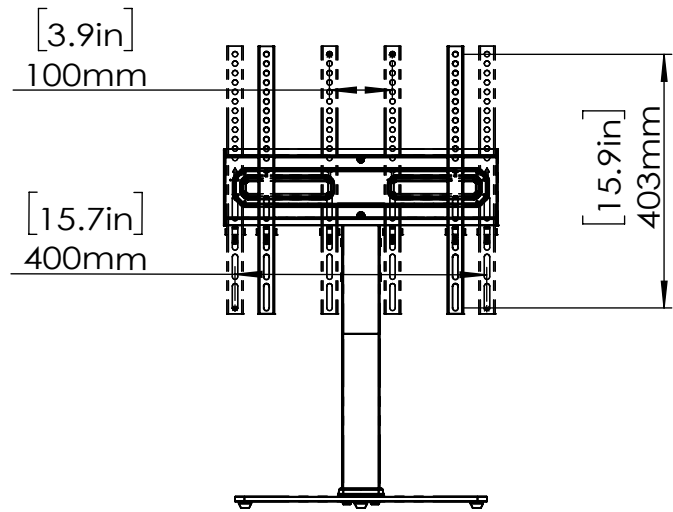


### TV INTERFACE



VESA: 100  
to 400

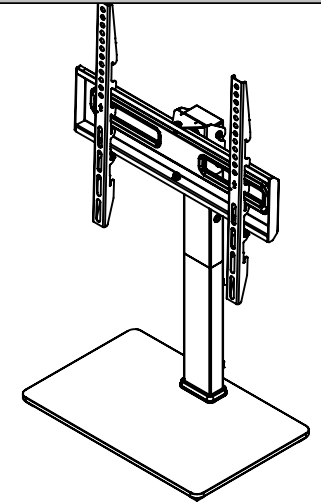
800-02022

REV00

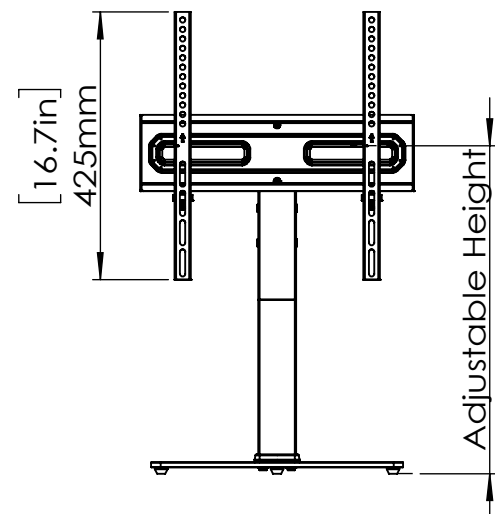
Model Number	ERTSM3
Maximum TV Weight	88 LBS
TV Size Range	32-65"
Net Weight	10.26 LBS

THE INFORMATION CONTAINED IN THIS DRAWING IS THE CONFIDENTIAL AND PROPERTY OF SHENZHEN BESTQI INNOVATION TECHNOLOGY CO.,LTD. ANY REPRODUCTION OR DISCLOSED WITHOUT THE WRITTEN PERMISSION OF BESTQI IS PROHIBITED.

### 3-D View



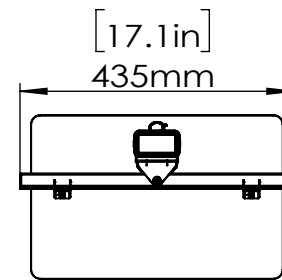
### FRONT VIEW



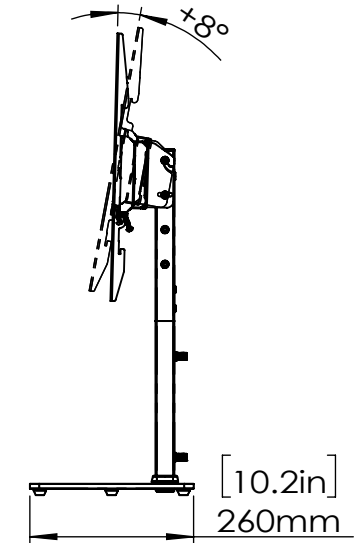
Unit:mm

Adjustable Height		
360		
410		
	415	
460		
	465	
		470
	515	
		520
		570

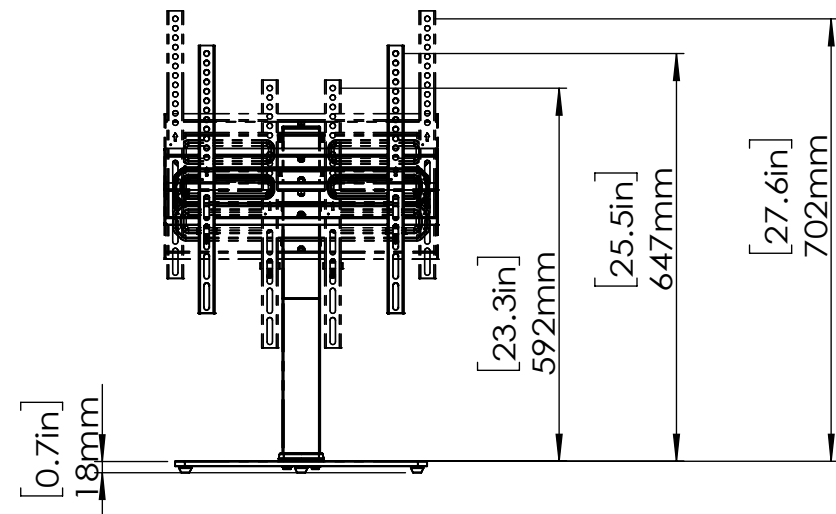
### TOP VIEW



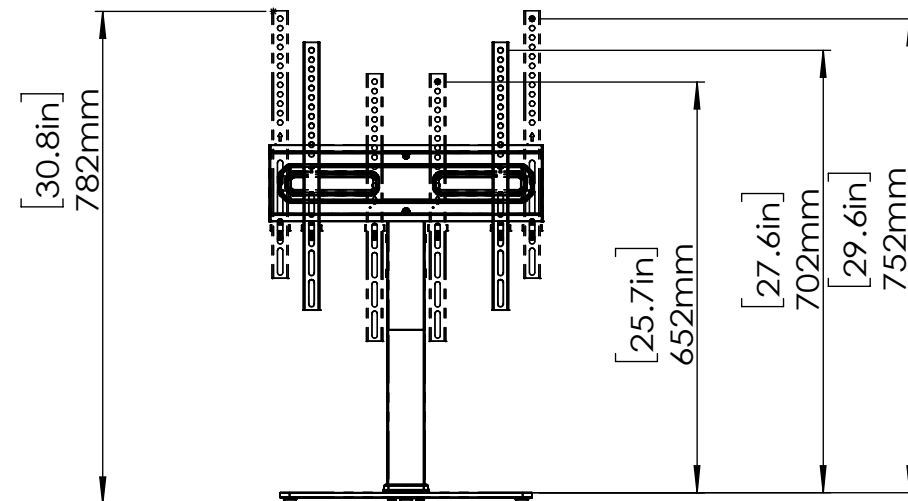
### SIDE VIEW



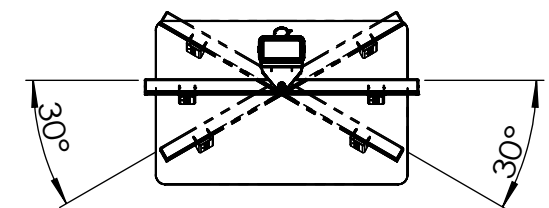
### Height Adjustments – TV Mounting Plate



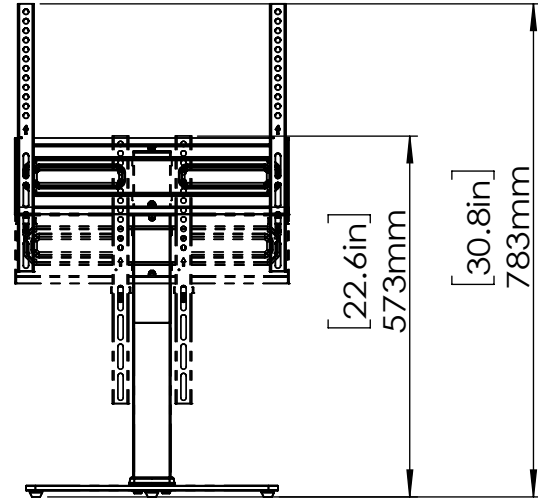
### Height Adjustments TV Brackets



### TOP VIEW SWIVEL



### Height Range



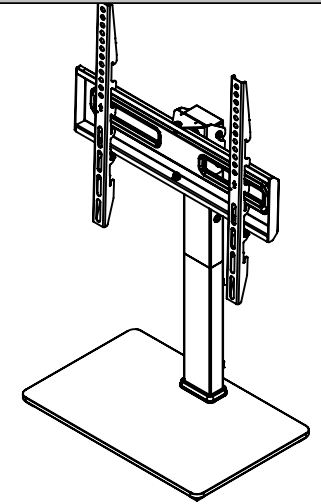
**800-02022**

**REV00**

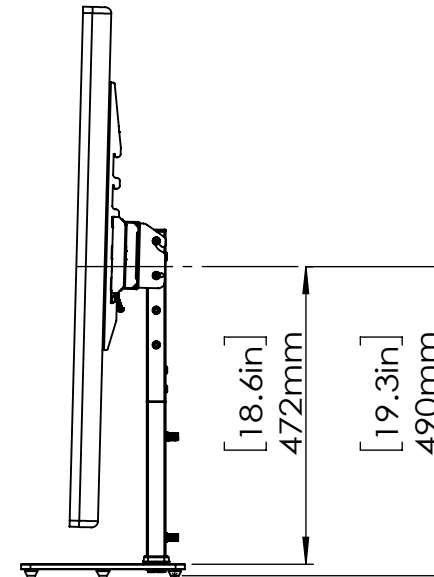
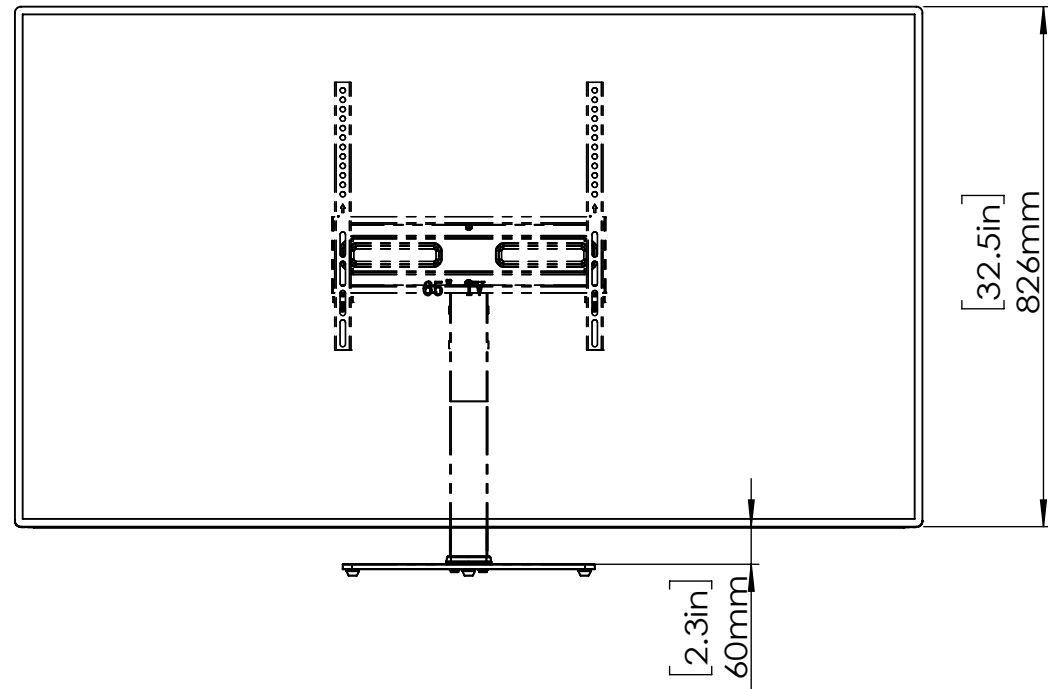
Model Number	ERTSM3
Maximum TV Weight	88 LBS
TV Size Range	32-65"
Net Weight	10.26 LBS

THE INFORMATION CONTAINED IN THIS DRAWING IS THE CONFIDENTIAL AND PROPERTY OF SHENZHEN BESTQI INNOVATION TECHNOLOGY CO.,LTD. ANY REPRODUCTION OR DISCLOSED WITHOUT THE WRITTEN PERMISSION OF BESTQI IS PROHIBITED.

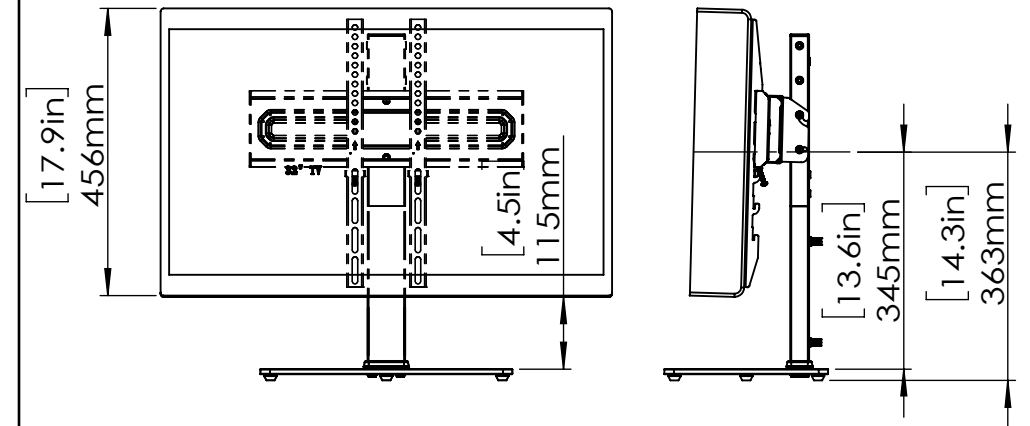
### 3-D View



### 65" TV Installation



### 32" TV Installation



### SHIPWITH

