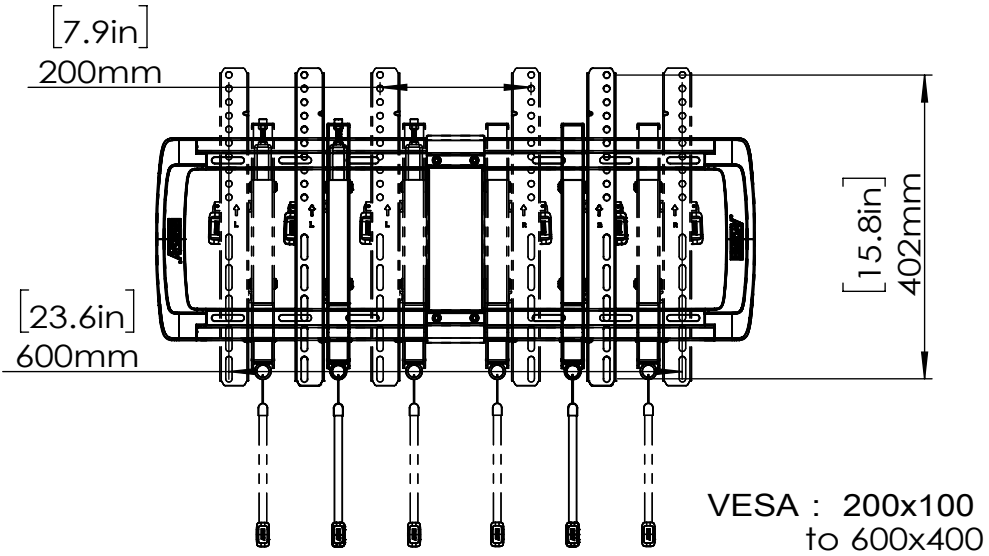


TV INTERFACE

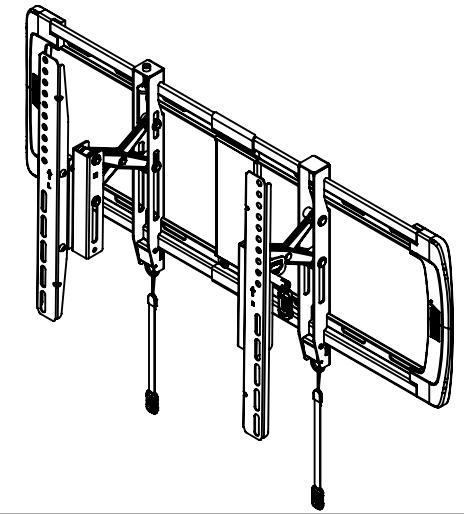


800-02053-XX REV00

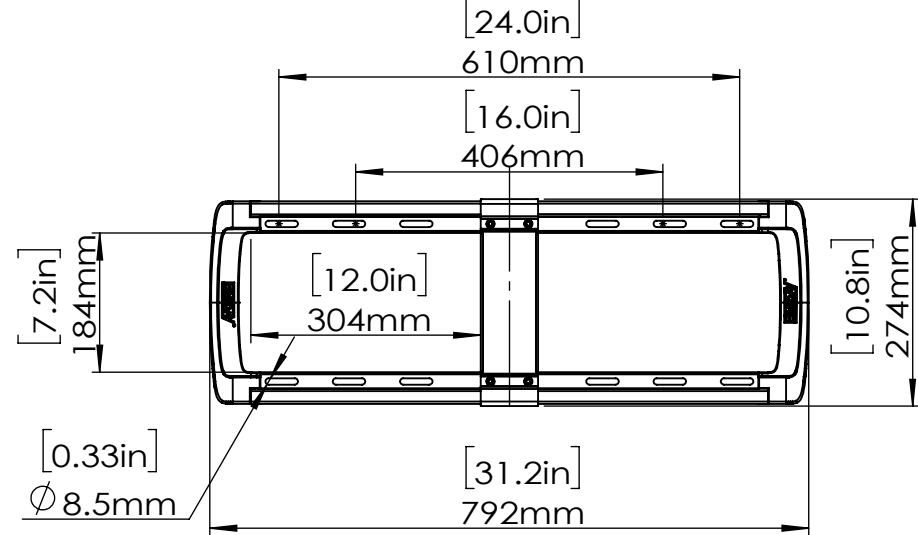
Model Number	ERMTL5
Maximum TV Weight	150 LBS
TV Size Range	42"-98"
Net Weight	11.7 LBS
Gross Weight	14.5 LBS
Product Dimension	31.2" x 16.5" x 3.1"

THE INFORMATION CONTAINED IN THIS DRAWING IS THE CONFIDENTIAL AND PROPERTY OF SHENZHEN BESTQI INNOVATION TECHNOLOGY CO.,LTD. ANY REPRODUCTION OR DISCLOSED WITHOUT THE WRITTEN PERMISSION OF BSQ IS PROHIBITED.

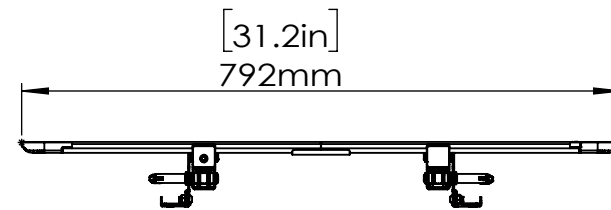
3-D View



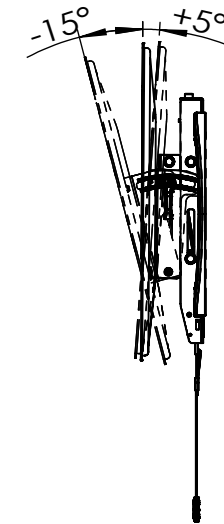
WALL PLATE



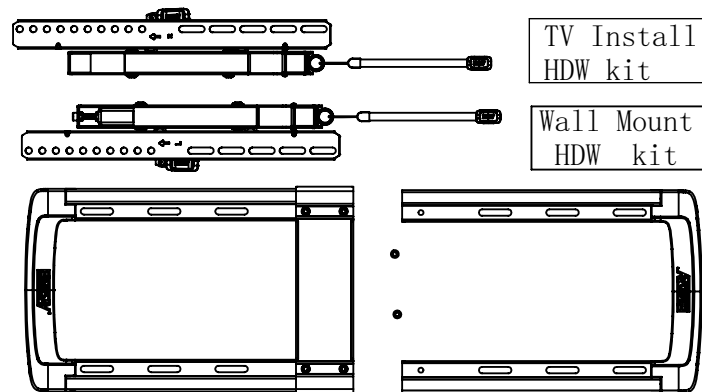
TOP VIEW



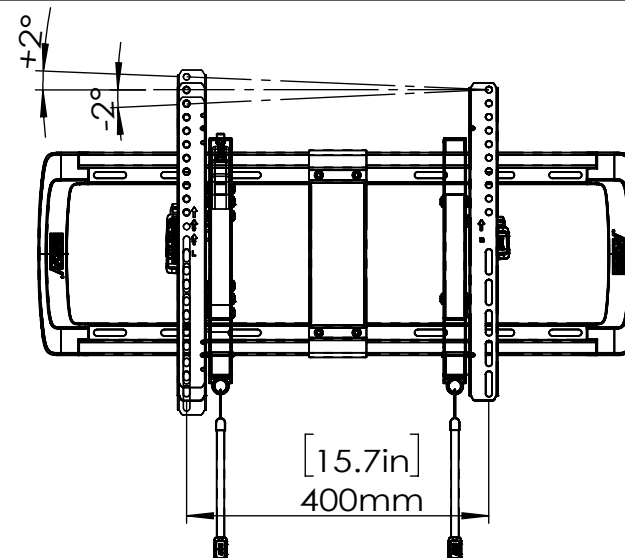
SIDE VIEW - TILTING



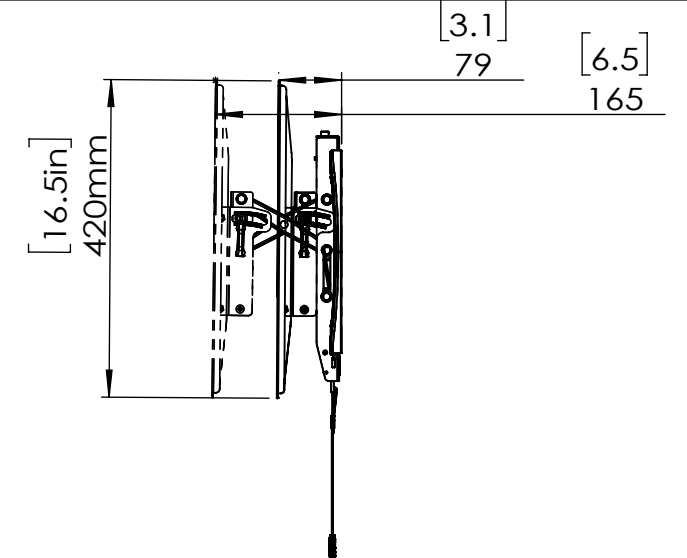
SHIP WITH



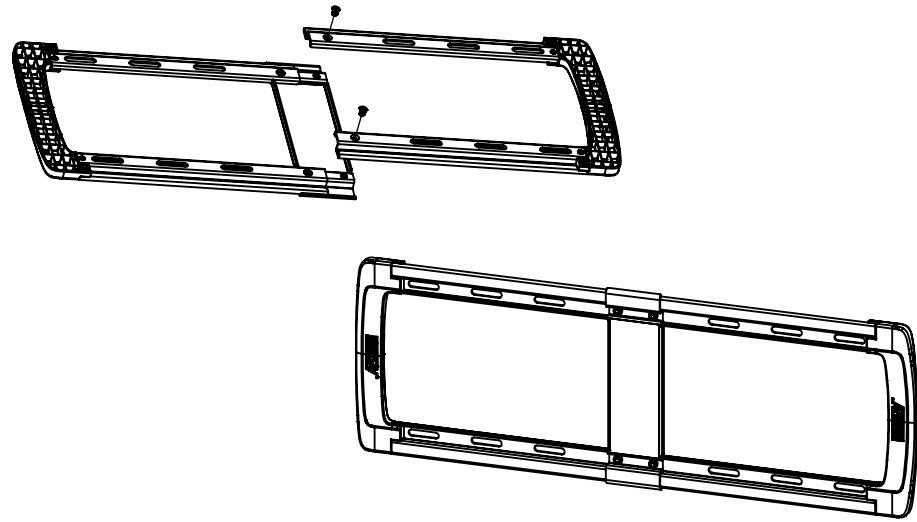
TOP VIEW-SWIVEL



SIDE VIEW



ASSEMBLE WALLPLATE

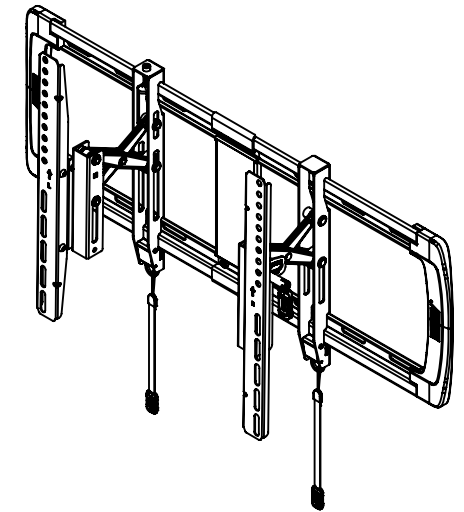


800-02053-XX REV00

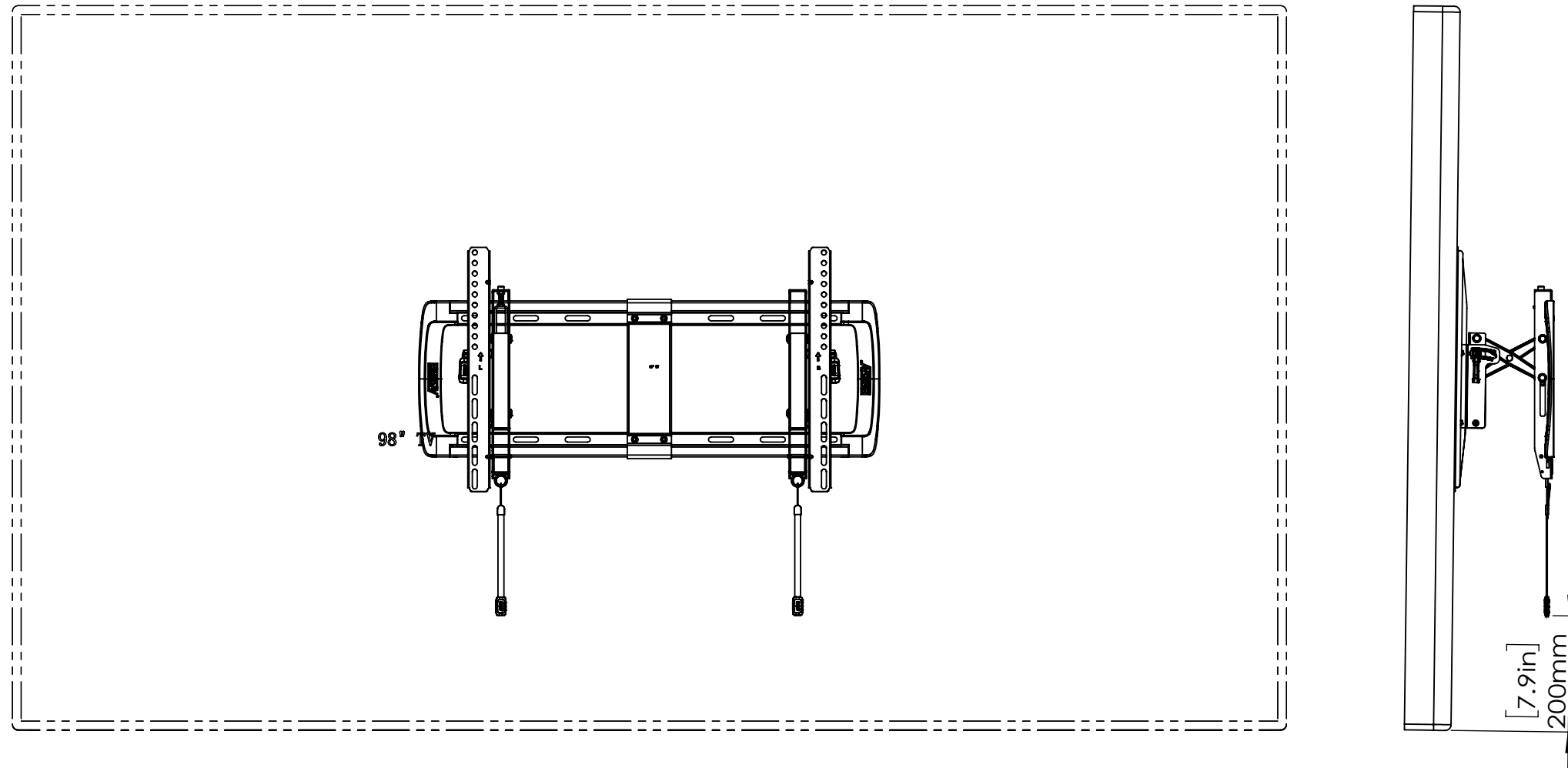
Model Number	ERMTL5
Maximum TV Weight	150 LBS
TV Size Range	42"-98"
Net Weight	11.7 LBS
Gross Weight	14.5 LBS
Product Dimension	31.2" x 16.5" x 3.3"

THE INFORMATION CONTAINED IN THIS DRAWING IS THE CONFIDENTIAL AND PROPERTY OF SHENZHEN BESTQI INNOVATION TECHNOLOGY CO.,LTD. ANY REPRODUCTION OR DISCLOSED WITHOUT THE WRITTEN PERMISSION OF BSQ IS PROHIBITED.

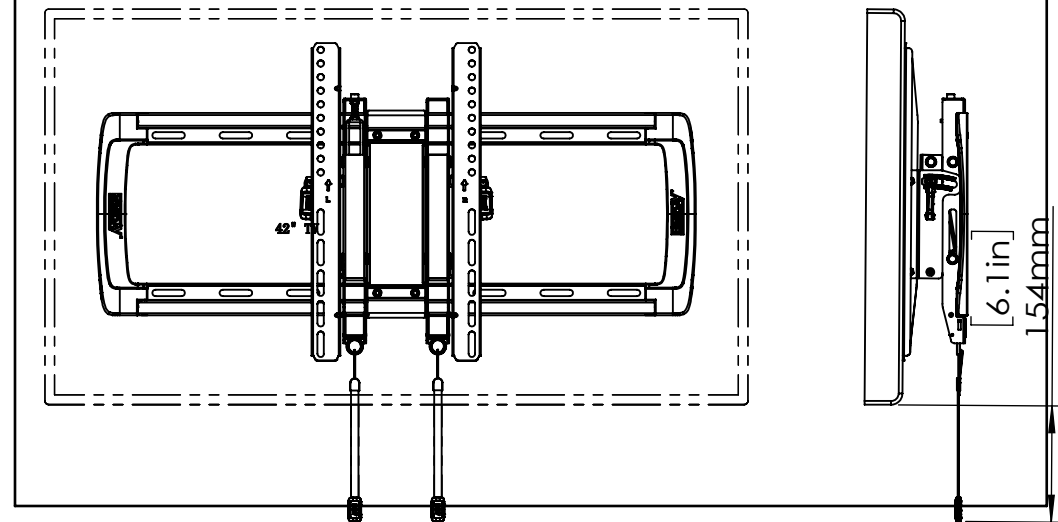
3-D View



98" TVs INSTALLATION



42" TV INSTALLATION



42" TV SIDE INSTALLATION

