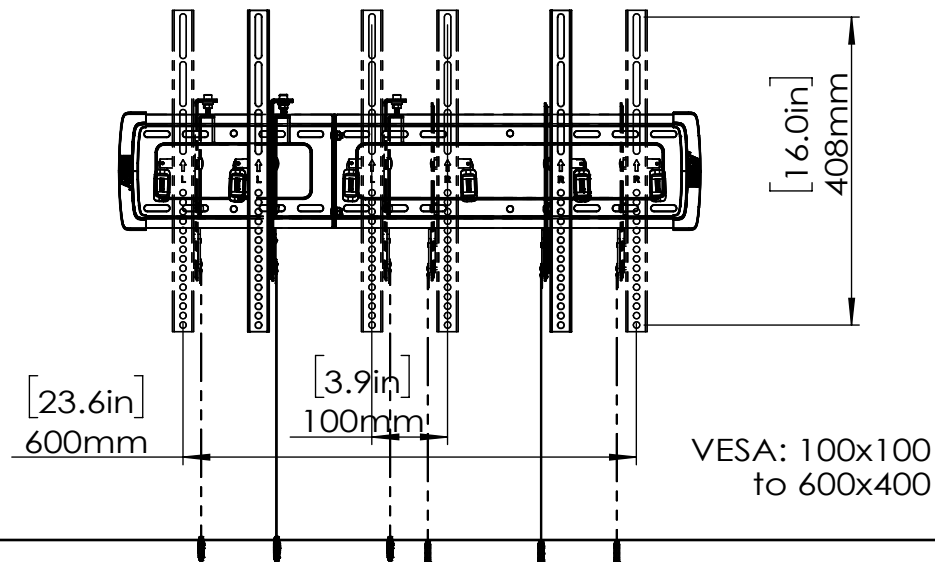


### TV INTERFACE

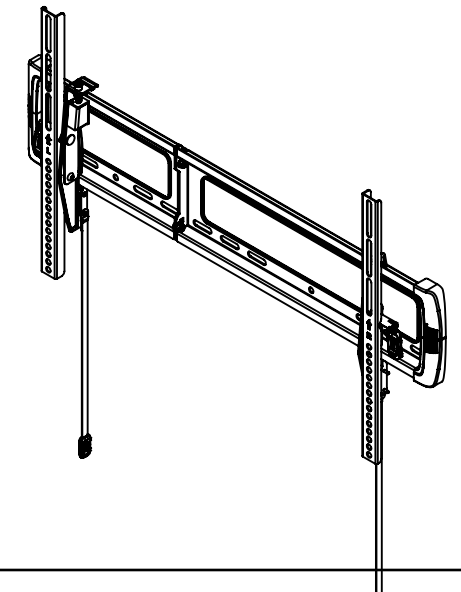


### 800-02023-XX REV00

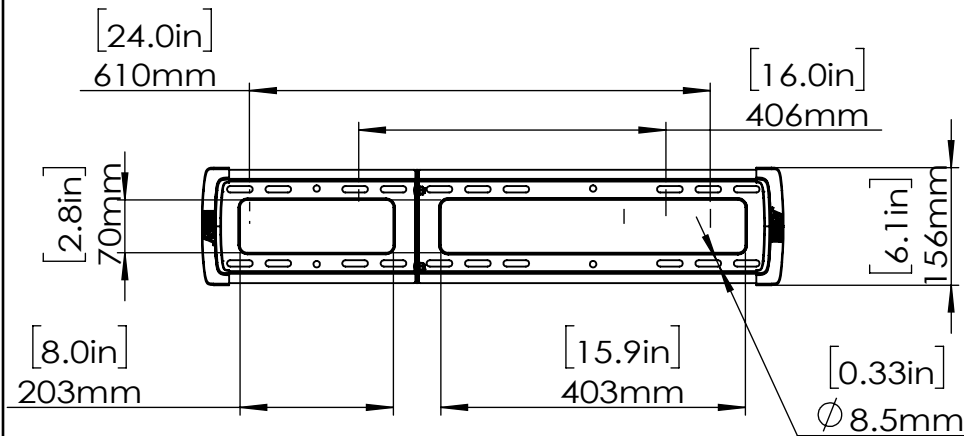
Model Number	ERMTL4
Maximum TV Weight	132 LBS
TV Size Range	32-86"
Net Weight	5.3 LBS
Gross Weight	7.5 LBS
Product Dimension	30.3" x 16.7" x 2.4"

THE INFORMATION CONTAINED IN THIS DRAWING IS THE CONFIDENTIAL AND PROPERTY OF SHENZHEN BESTQI INNOVATION TECHNOLOGY CO.,LTD. ANY REPRODUCTION OR DISCLOSED WITHOUT THE WRITTEN PERMISSION OF BSQ IS PROHIBITED.

### 3-D View

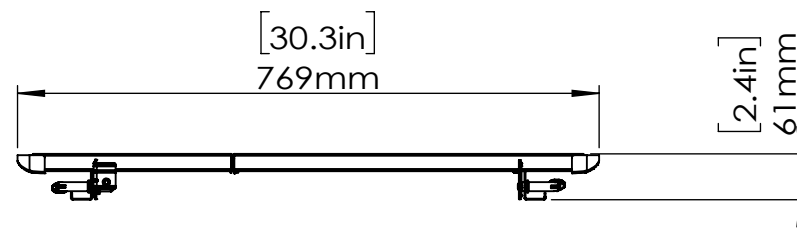


### 24" WALL PLATE

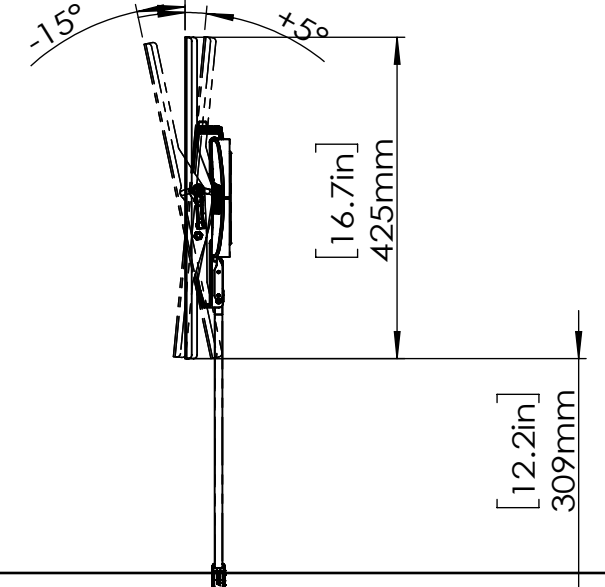


Better experience for :  
 1) Wood studs spacing : 16" or 24" ;  
 2) TV mount holes spacing ≥ 200mm.

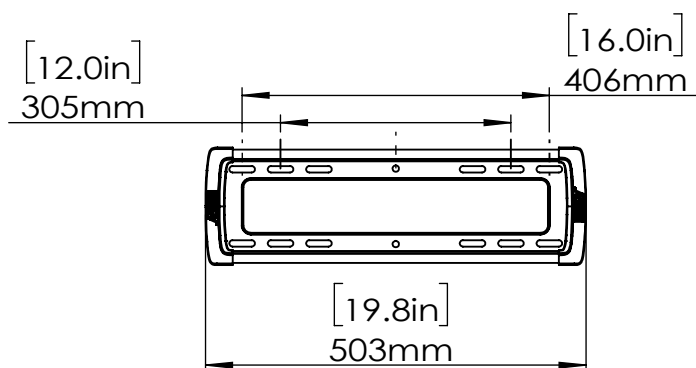
### TOP VIEW



### SIDE VIEW - TILTING

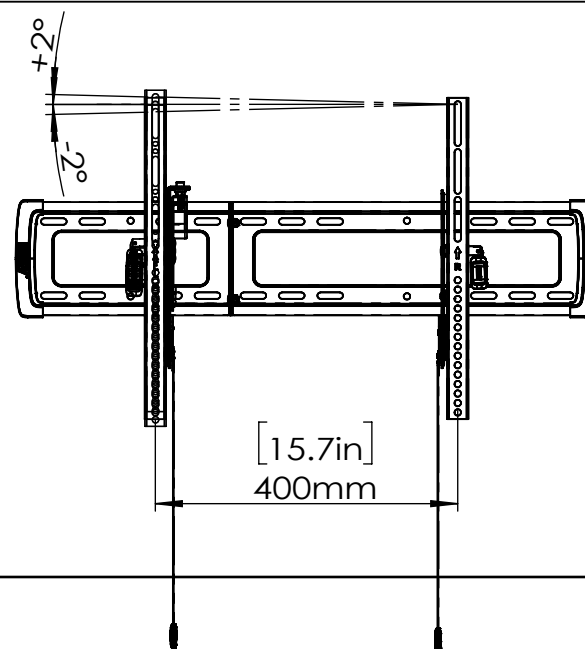


### 16" WALL PLATE (Optional)

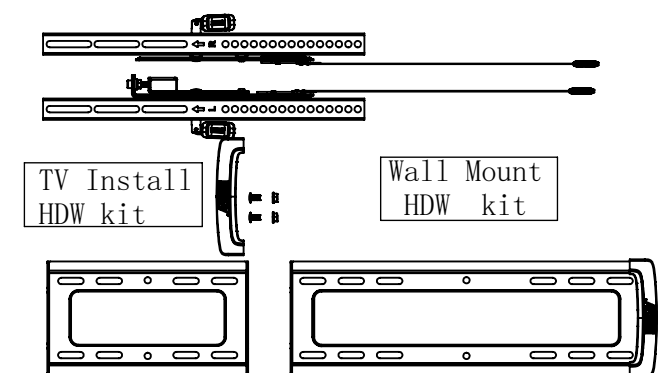


Better experience for :  
 1) Wood studs spacing : 16" ;  
 2) TV mount holes spacing ≤ 200mm.

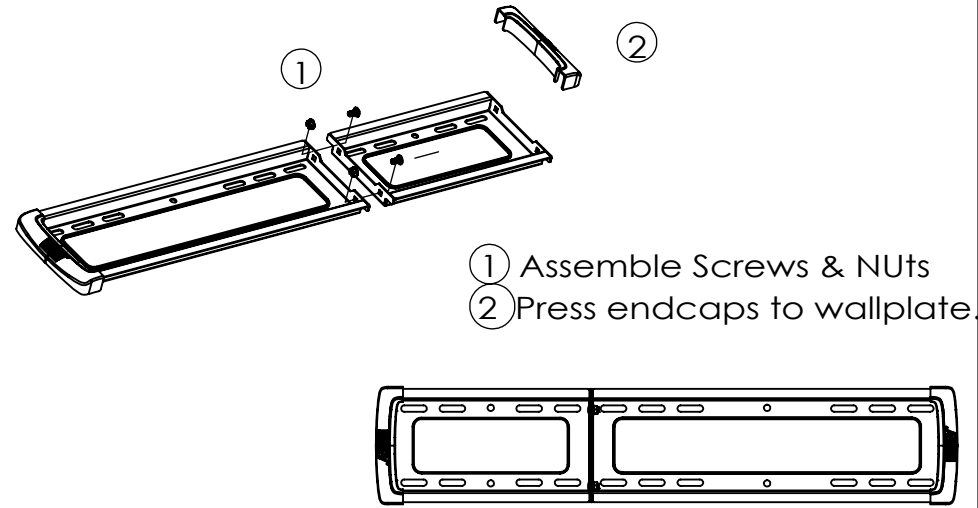
### LEVEL ADJUSTMENT



### SHIP WITH



## ASSEMBLING 24" WALL PLATE

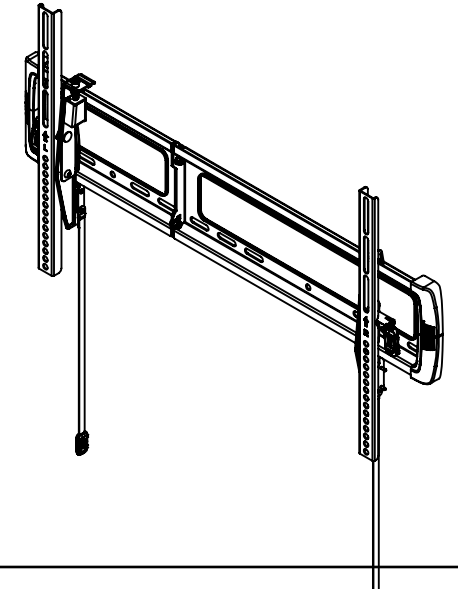


## 800-02023-XX REV00

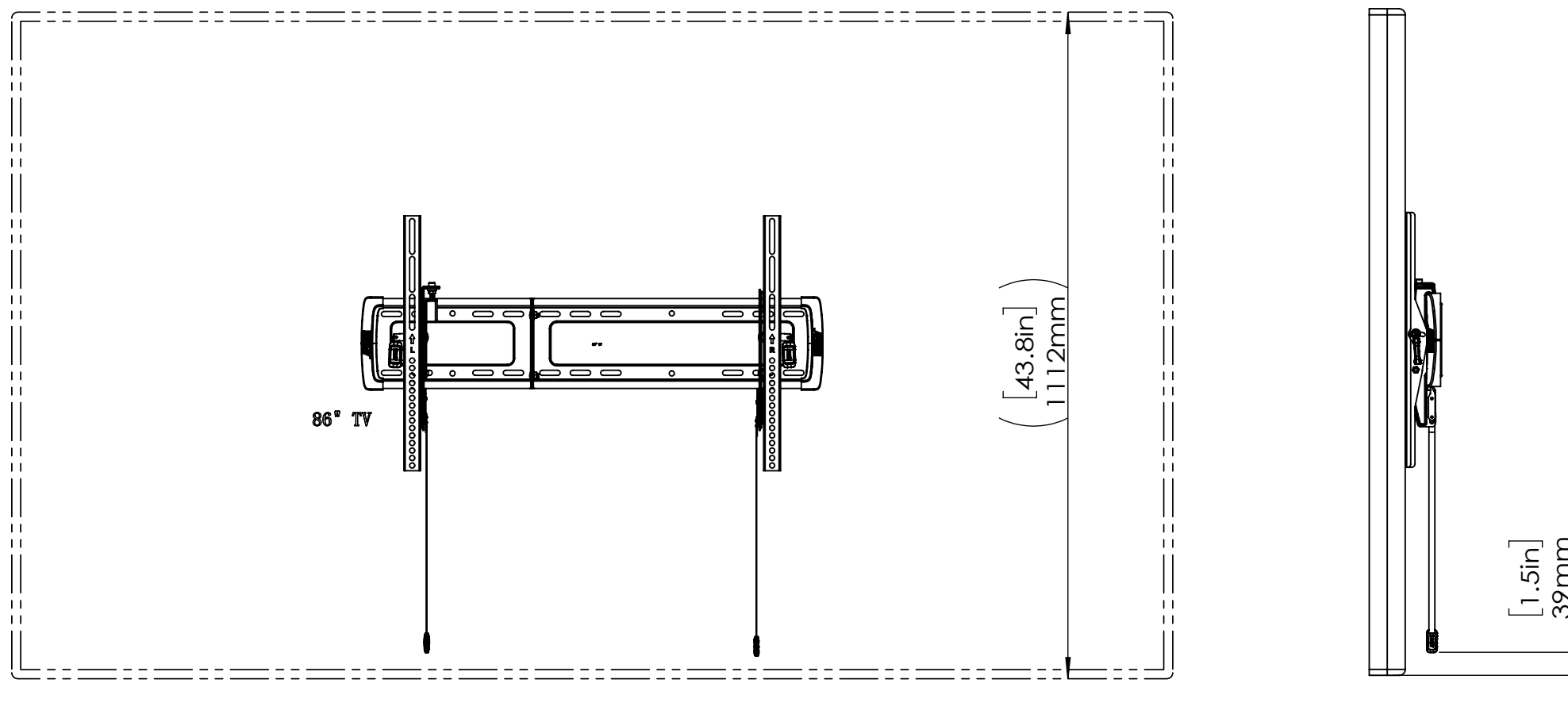
Model Number	ERMTL4
Maximum TV Weight	132 LBS
TV Size Range	32-86"
Net Weight	5.3 LBS
Gross Weight	7.5 LBS
Product Dimension	30.3" x 16.7" x 2.4"

THE INFORMATION CONTAINED IN THIS DRAWING IS THE CONFIDENTIAL AND PROPERTY OF SHENZHEN BESTQI INNOVATION TECHNOLOGY CO.,LTD. ANY REPRODUCTION OR DISCLOSED WITHOUT THE WRITTEN PERMISSION OF BSQ IS PROHIBITED.

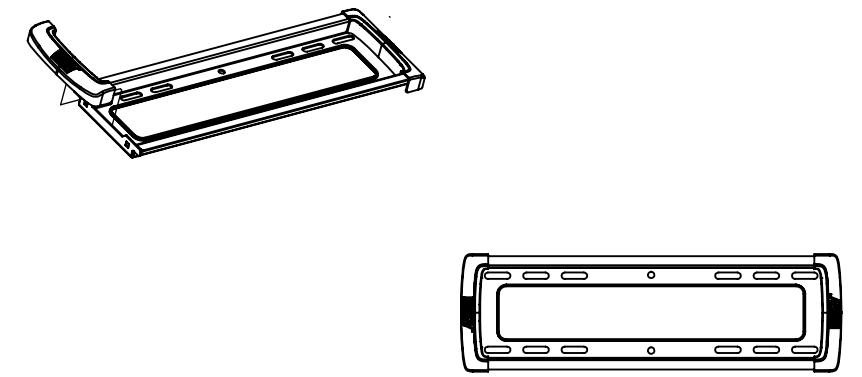
## 3-D View



## 86" TVs INSTALLATION



## ASSEMBLING 16" WALL PLATE



## 32" TVs INSTALLATION

