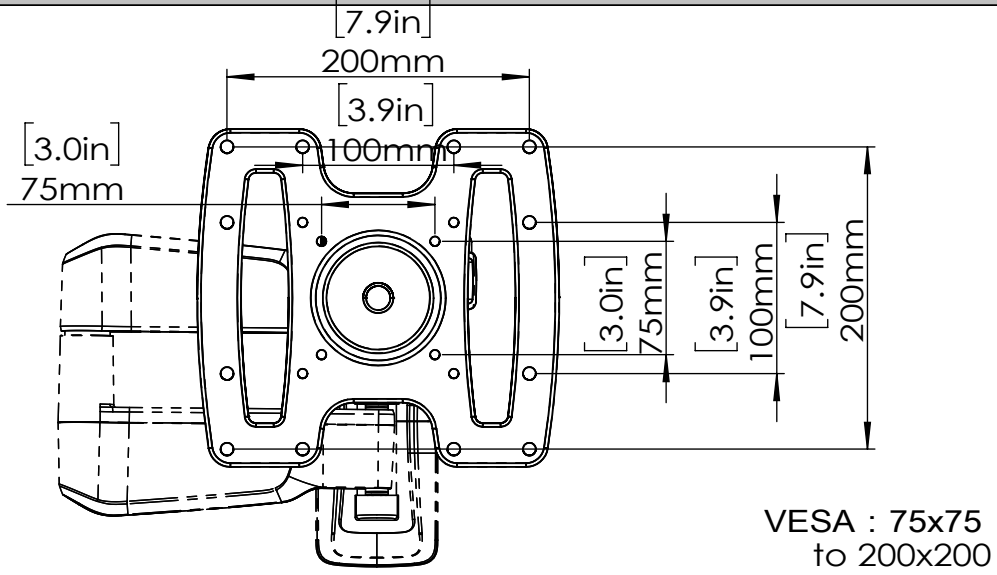


TV INTERFACE

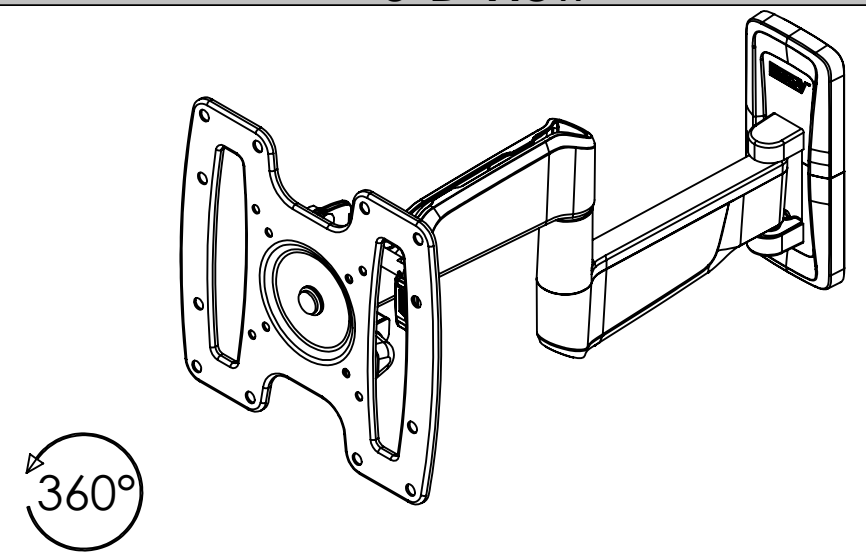


800-02078-xx REV

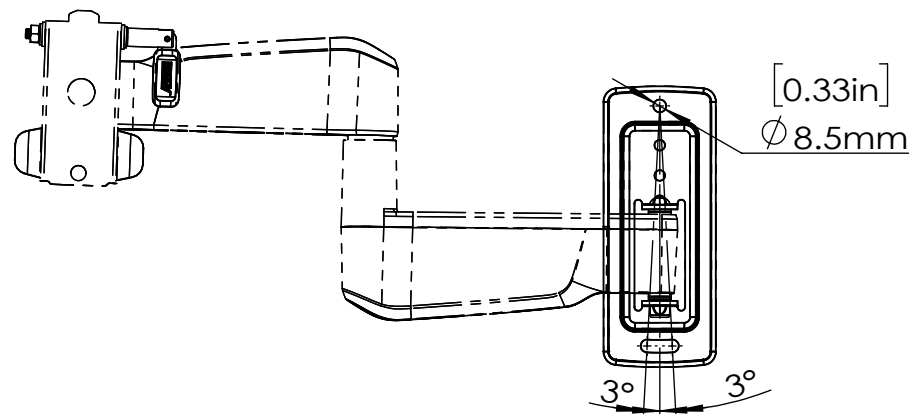
Model Number	ERMMS2
Maximum TV Weight	45 LBS
TV Size Range	19"-43"
Net Weight	5.39LBS
Gross Weight	6.97 LBS
Product Dimension	13.1" x 11.4" x 2.9"

THE INFORMATION CONTAINED IN THIS DRAWING IS THE CONFIDENTIAL AND PROPERTY OF SHENZHEN BESTQI INNOVATION TECHNOLOGY CO.,LTD. ANY REPRODUCTION OR DISCLOSED WITHOUT THE WRITTEN PERMISSION OF BSQ IS PROHIBITED.

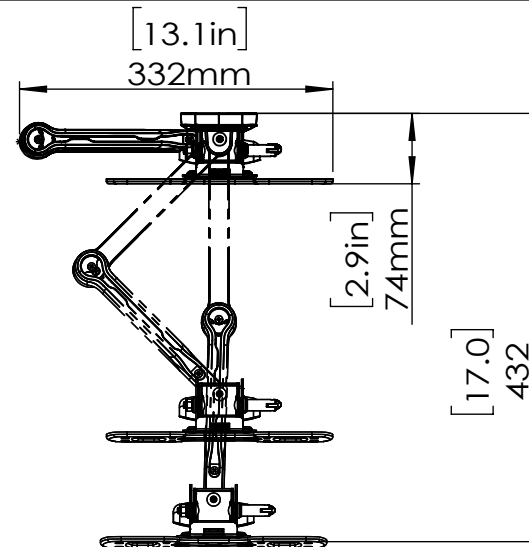
3-D View



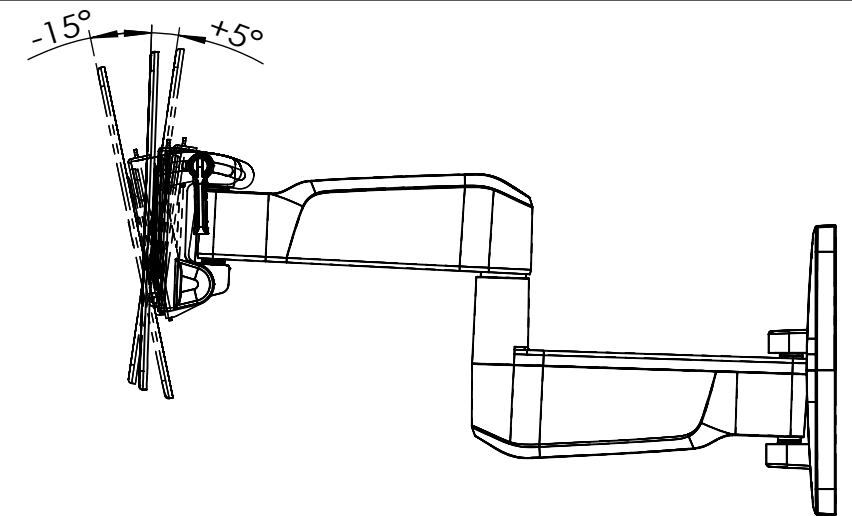
WALL PLATE



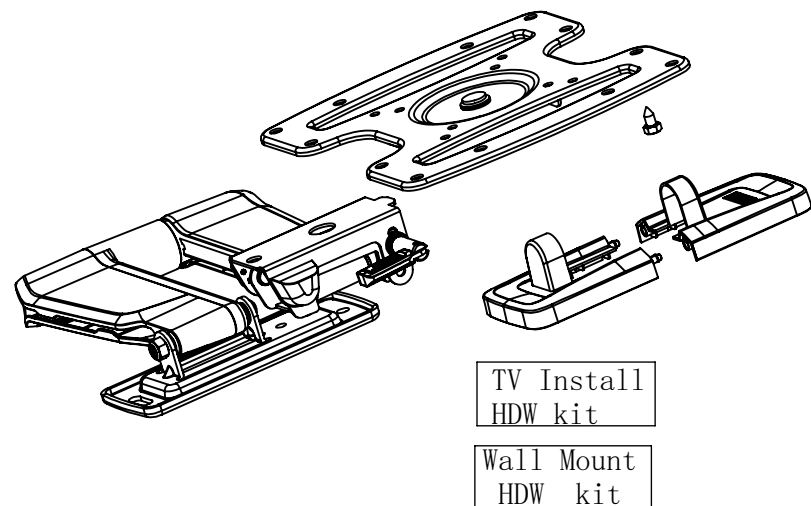
TOP VIEW



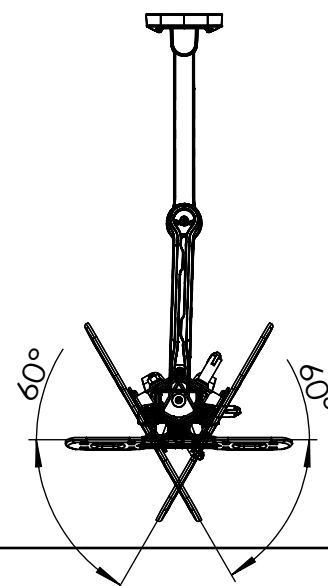
SIDE VIEW - TILTING



SHIPWITH



TOP VIEW-SWIVEL



SIDE VIEW

