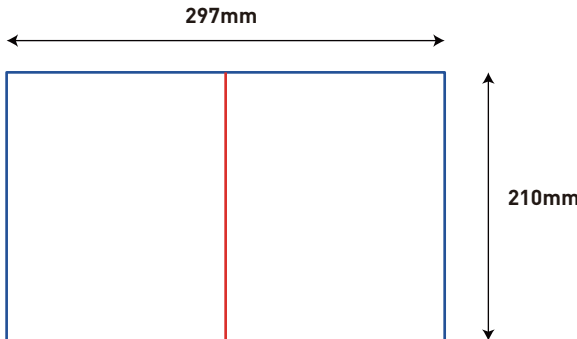


注：此页为技术说明，非印刷内容

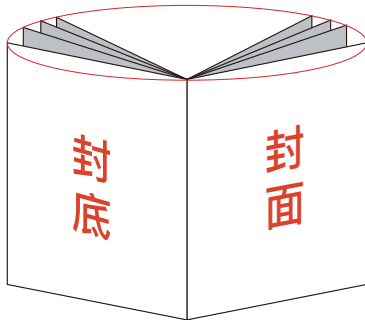
刀模线：——

内折线：——

展开尺寸图：



装订效果图：



技术要求：

- 1、材质：封页105g 铜板纸；内页80g双胶纸
- 2、展开尺寸：A4，如图所示装订成型为A5，16页
- 3、颜色：单色
- 4、印刷：印刷图档见后续页，双面印刷
- 5、装订方式：骑马钉

符号标识

版本变更

XXX

关键尺寸

XXX

编号

XXX

参考尺寸

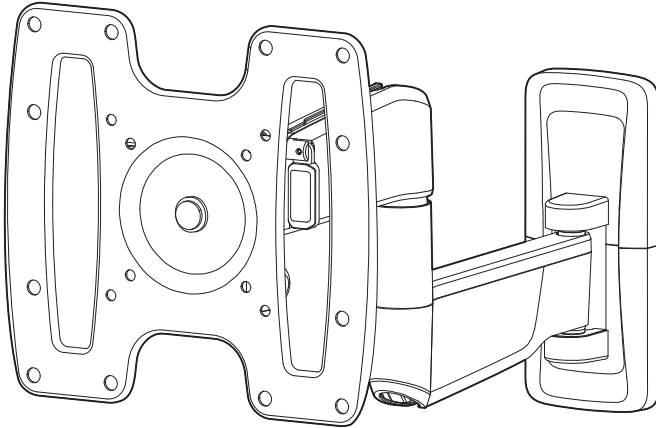
(.XXX)

名称	ERMMS2-01B -Manual(单英UL同册) -SAE				PLM号	860-02782-00		
	图号					投影法	第一角投影法	
材料								
	规格					版本	重量G	比例
除非另有说明		标记	处数	ECO#	发行时间	00		1:1
0-30 ±1		设计		PM		共 1 页		第 1 页
30-150 ±2		绘图	Max	日期	2024/05/23	倍思奇创新科技		(深圳) 股份有限公司
150-300 ±3		审批	Lily	日期				
300-450 ±4		除去所有利边，尖点，毛刺						
>450 ±5								



## Small Motion TV Mount Instruction Manual

Rev00



### ERMMS2

**Thank you for choosing ErgoAV!**

At ErgoAV, our goal is to add value to your AV experience by providing the highest quality products and services in the industry. We offer a 5-year warranty. If you have any questions or concerns, please contact us.



ErgoAV



9501 Louisiana Ave N, #200, Brooklyn Park, MN 55445



(877) 419-7832 Mon-Fri 8am - 8pm (CST)



support@ergoav.com

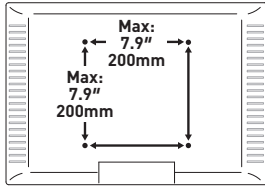


www.ergoav.com

# BEFORE GETTING STARTED, LET'S MAKE SURE THIS MOUNT IS COMPATIBLE

1

Check VESA Pattern Compatibility



## Compatible VESA Patterns:

75 x 75mm      100 x 200mm  
100 x 100mm      200 x 200mm

## Maximum/Minimum:

200 x 200mm (7.9 x 7.9")  
75 x 75mm (3 x 3")

If this mount is not compatible, please contact product support.

2

Check Max Load



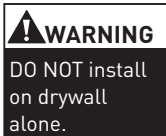
## ⚠ WARNING

DO NOT exceed the Max Load. Use with products heavier than the Max Load may result in failure of the mount and its accessories, causing possible damage and/or injury.

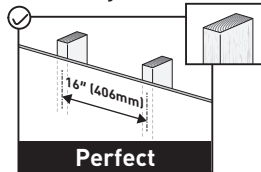
If your TV weighs more, this mount is NOT compatible.

3

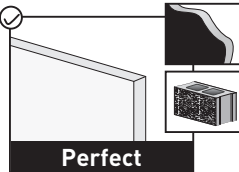
Verify Wall Type



### Wood Studs (with Drywall)



### Concrete and Concrete Block Walls



4

Tools Needed (not included)



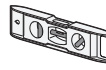
Electric Drill



Pencil



Phillips Screwdriver



Level



Tape Measure



1/2" (13mm) Socket Wrench

### For Wood Stud Walls



Stud Finder



Awl



7/32" (5.5mm) Wood Drill Bit

### For Concrete and Concrete Block Walls



Hammer



3/8" (10mm) Concrete Drill Bit

5

Important Safety Information

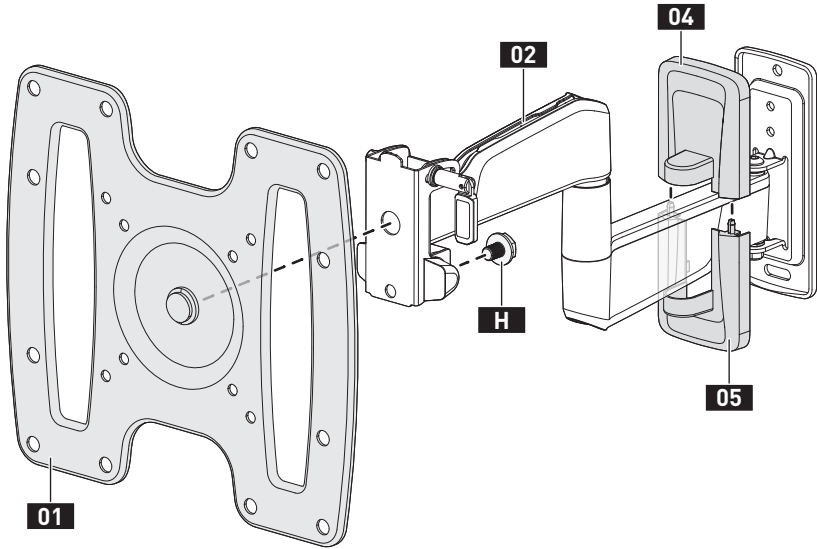
**⚠ DANGER:** Please carefully read all instructions before attempting installation. If you DO NOT understand the instructions or have any questions or concerns, please call technical support or email customer service.

**⚠ CAUTION:** Avoid the risk of personal injury and property damage!

**⚠ WARNING:** All fasteners must be firmly tightened!

- This mount can only be installed on wood studs, concrete and concrete block walls. DO NOT install on drywall alone.
- The wall must be capable of supporting four times the weight of the TV and mount combined.
- This product contains small parts that may pose a choking hazard.
- DO NOT use this product for any purpose that is NOT explicitly specified in this manual. DO NOT exceed the maximum weight capacity. We are NOT liable for damage or injury caused by incorrect assembly, improper mounting, or inappropriate use.
- Use this mounting system only for its intended purpose as described in these instructions. DO NOT use attachments not recommended by the manufacturer.
- DO NOT use outdoors.
- Route cords and cables properly to avoid mechanical damage.

**SAVE THESE INSTRUCTIONS**



**01** Faceplate

**H** Bolt

**02** Arm Assembly / Wall Plate

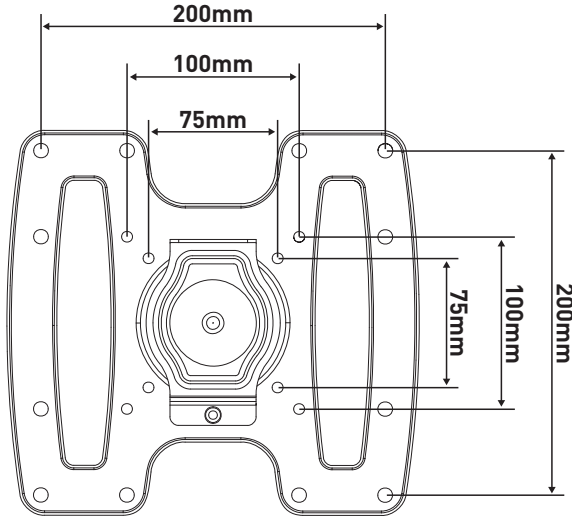
**03** Wall Plate Template

**04** Upper Wall Plate Cover

**05** Lower Wall Plate Cover

# INSTALLATION

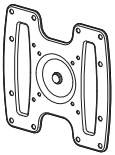
## STEP 1 Choose Compatible VESA Pattern



- 75 x 75mm / 3 x 3"
- 100 x 100mm / 3.9 x 3.9"
- 100 x 200mm / 3.9 x 7.9"
- 200 x 200mm / 7.9 x 7.9"

## Supplied Parts and Hardware for Step 2

Not all hardware included in this package will be used.



Faceplate  
**01** x 1



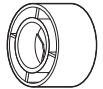
M4/M5 Washer  
**B1** x 4



M6/M8 Washer  
**B2** x 4



L2.5mm Spacer  
**G1** x 4



L10mm Spacer  
**G2** x 8

### M4



M4 x 12mm TV Bolt  
**C1** x 4



M4 x 30mm TV Bolt  
**C2** x 4

### M6



M6 x 15mm TV Bolt  
**E1** x 4



M6 x 35mm TV Bolt  
**E2** x 4

### M5

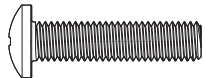


M5 x 25mm TV Bolt  
**D** x 4

### M8



M8 x 15mm TV Bolt  
**F1** x 4

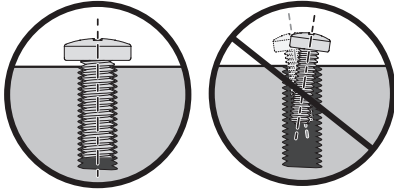
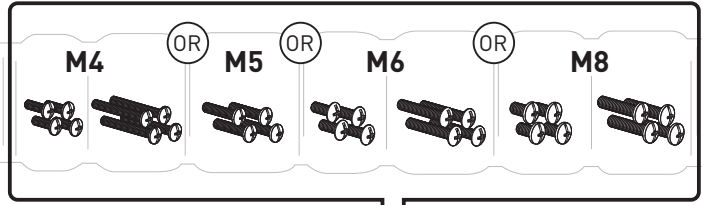


M8 x 35mm TV Bolt  
**F2** x 4

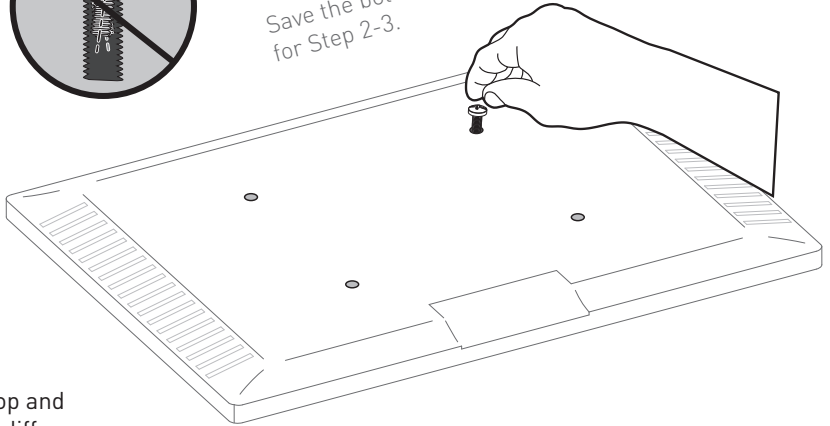
## STEP 2 Attach the Faceplate to Your TV

### 2-1 Select TV Bolts

The correct bolt diameter will thread smoothly into your TV.

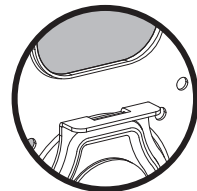
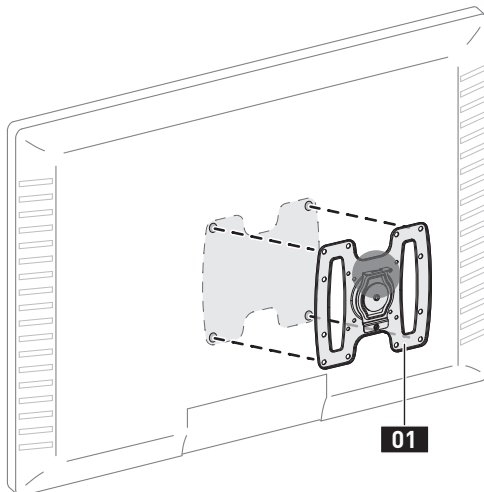


Save the bolts that fit (M4, M5, M6, or M8) for Step 2-3.



The depth of the top and bottom holes may differ.

### 2-2 Position the Faceplate



Raised Tab Up

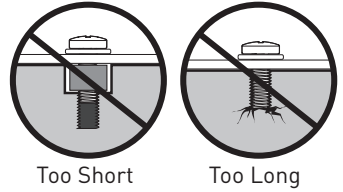
## 2-3 Secure the Faceplate

For Flat-Back TV, go to Option A on this page.

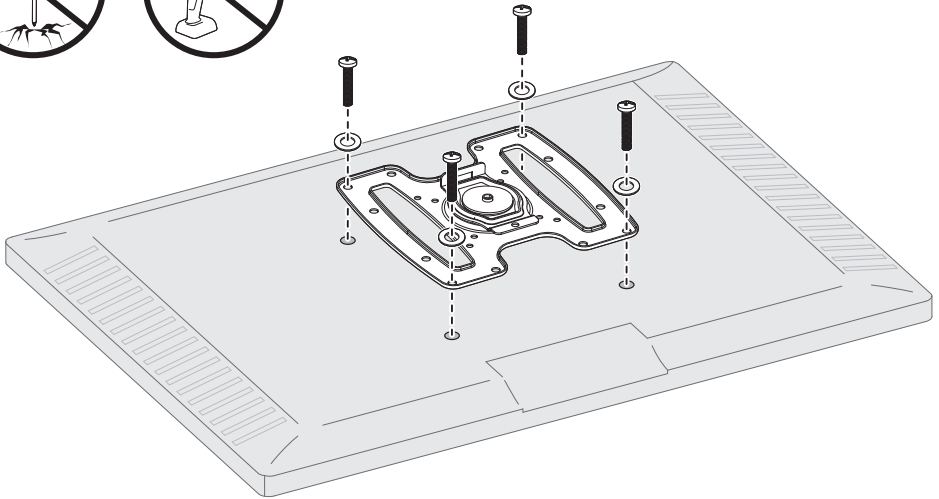
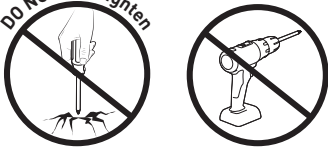
For Bump, Curved TV, Recessed Holes and Cables, go to Option B on next page.

### ⚠ WARNING:

- DO NOT turn the bolt past the bottom of the hole.
- If the bolt is too short, it may not adequately support the TV.
- If the bolt is too long, it could damage the TV.
- At least 4-5 turns into the threading is required.
- **The depth of the bottom holes may be different from the top holes.**



DO NOT overtighten

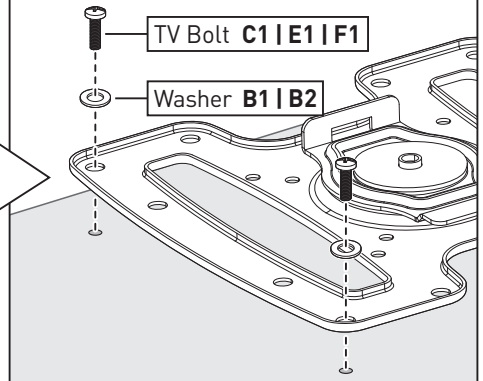
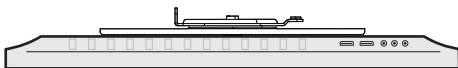


### Option A

Use **short** TV bolts with washers.



Flat-Back TV

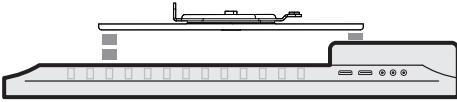


## Option B

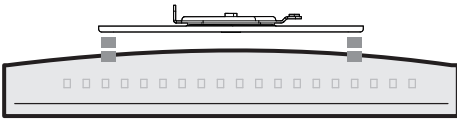
Use **long TV bolts** with washers and spacers to create extra space between the TV and brackets.



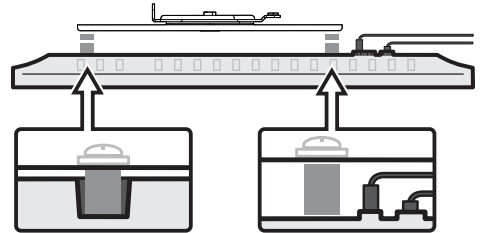
### Bump



### Curved TV

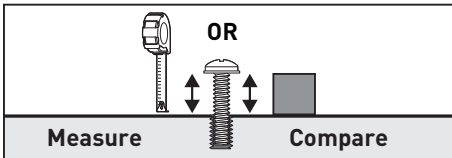


### TV with Mounting Restrictions

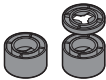


Recessed Holes

Protruding Cables

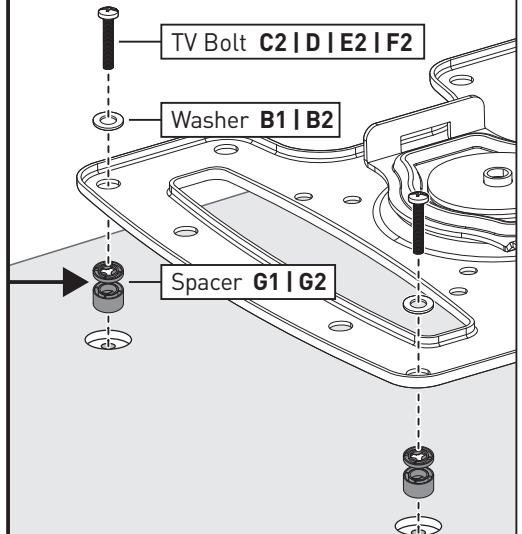


You can use a tape measure to measure the protruding bolts or hold spacers next to them to choose the right spacer combination.



#### **Note:**

There are many possible spacer combinations that can be used.



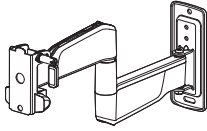
(877) 419-7832  
Mon-Fri 8am - 8pm (CST)



support@ergoav.com

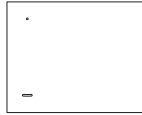


## Supplied Parts and Hardware for Step 3



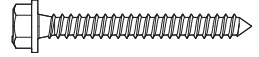
Arm Assembly / Wall Plate

**02** x 1



Wall Plate Template

**03** x 1



ST 5/16 x 2 3/4"  
Lag Screw

**A1** x 2



Wall Anchor

**A2** x 2

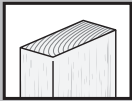
### ⚠ CAUTION!

This anchor is for concrete and concrete block walls ONLY. DO NOT use them in drywall or wood studs.

## STEP 3 Mount the Arm Assembly / Wall Plate on the Wall

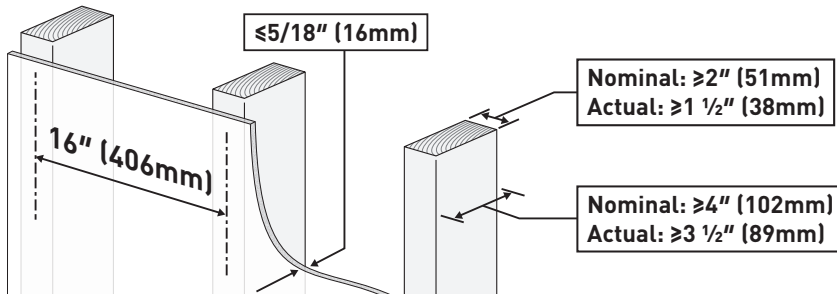
For mounting on wood stud walls, go to Option A on page 08 to 09.

For mounting on concrete and concrete block walls, go to Option B on page 10 to 11.



### Option A

For Wood Stud Installation



### 🔧 Tools Needed (Not Included)



Electric Drill



Pencil



Tape Measure



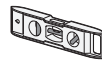
Stud Finder



Awl



7/32" (5.5mm)  
Wood Drill Bit



Level



1/2" (13mm)  
Socket Wrench

### ⚠ WARNING:

- Avoid the risk of personal injury or property damage! Tighten the lag screws **A1** only until they are pulled firmly against the wall plate (**DO NOT overtighten**). DO NOT use a drill; only use a socket wrench.

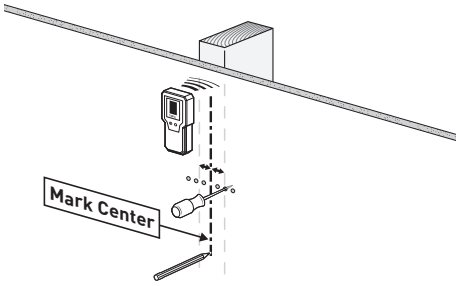
- DO NOT use wall anchors **A2** for this mounting option.



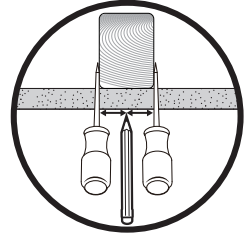
**A2**

Wall Anchor

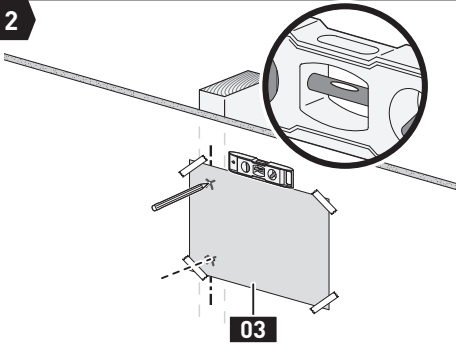
1



## Find Studs and Mark Holes

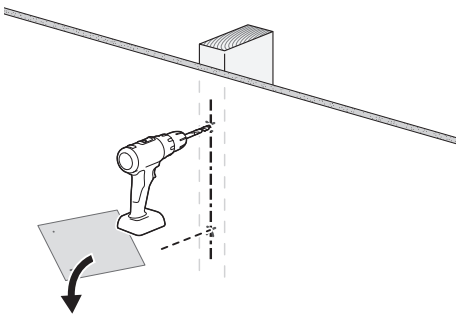


2



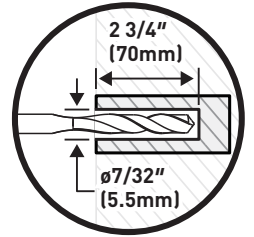
## Mark 2 Hole Positions

3

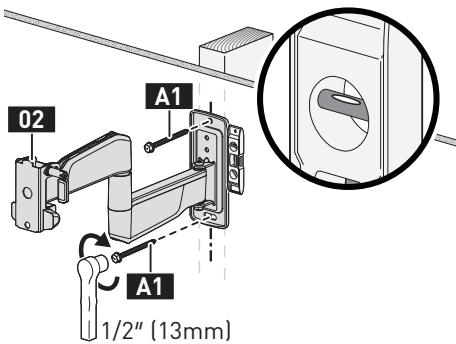


## Drill 2 Holes

**!** **Note:** Be sure to use the specified drill bit.

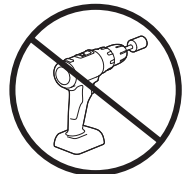


4

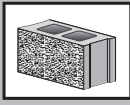
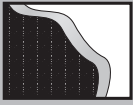


## Secure the Wall Plate

**!** **HEAVY!** You may need assistance with this step.

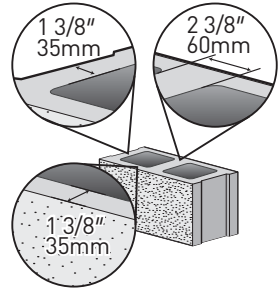
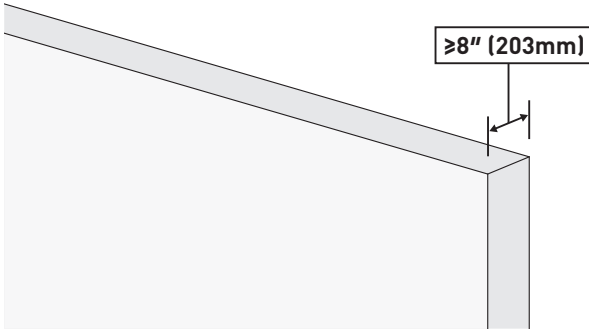


Go to Step 4 on Page 12



## Option B

For Concrete and Concrete Block Wall Installation



### Tools Needed (Not Included)



Electric Drill



Pencil



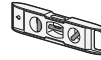
Tape Measure



Hammer



3/8" (10mm)  
Concrete Drill Bit



Level



1/2" (13mm)  
Socket Wrench

### WARNING:

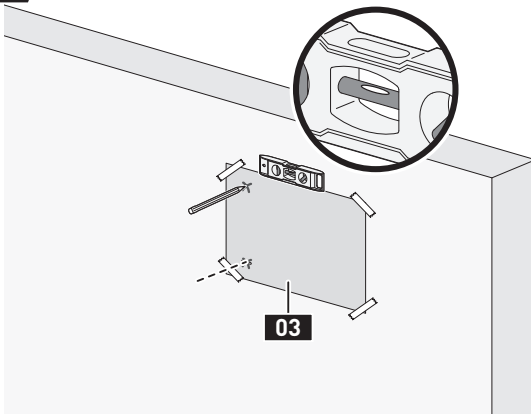
- Avoid the risk of personal injury or property damage! Tighten the lag screws **A1** only until they are pulled firmly against the wall plate (**DO NOT overtighten**). DO NOT use a drill; only use a socket wrench.
- Use wall anchors **A2** for this mounting option.
- Mount the wall plate directly on the concrete surface.
- Minimum concrete block size: 8" x 8" x 16" (203 x 203 x 406mm)



**A2**

Wall Anchor

**1**



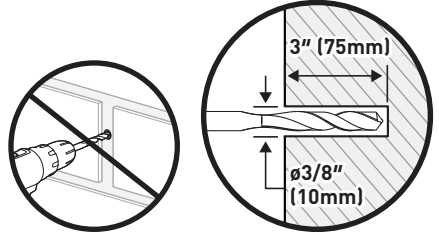
Mark 2 Hole Positions

2

### Drill 2 Holes

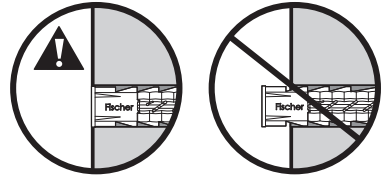
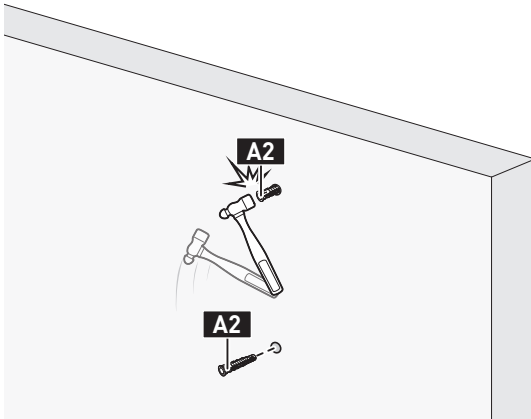
**Note:**

- Be sure to use the specified drill bit.
- Never drill into the mortar between blocks.





3

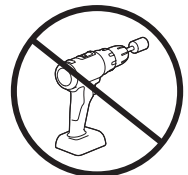
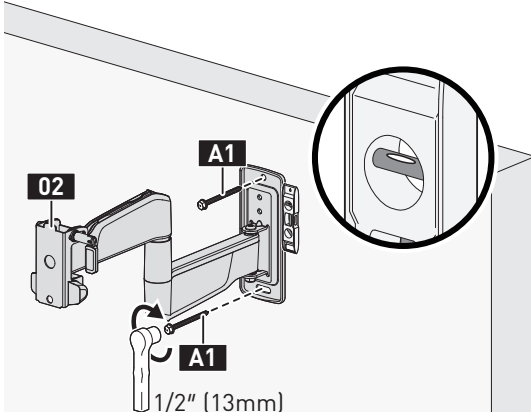
### Tap Wall Anchors In



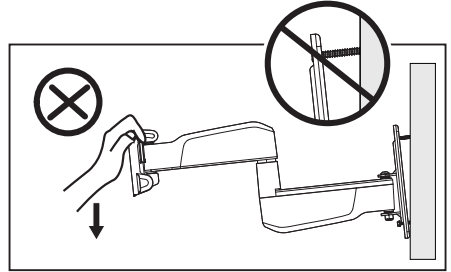
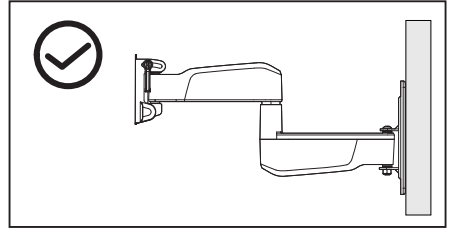
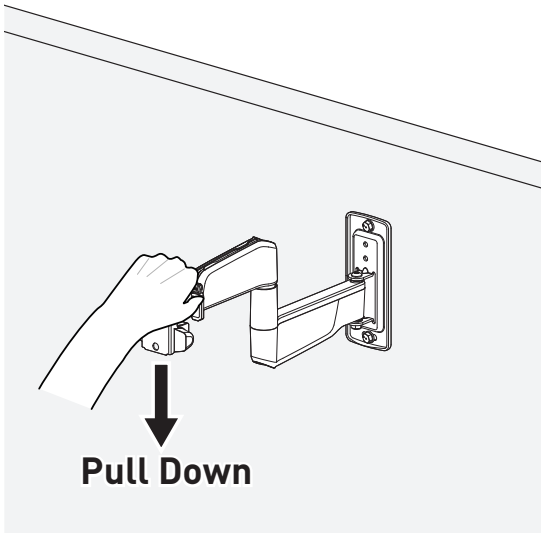
4

### Secure the Wall Plate

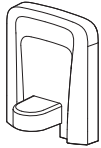
  **HEAVY!** You may need assistance with this step.



## STEP 4 Verify Wall Plate is Firmly Mounted

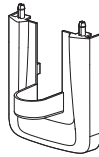


## Supplied Parts and Hardware for Step 5



Upper Wall Plate Cover

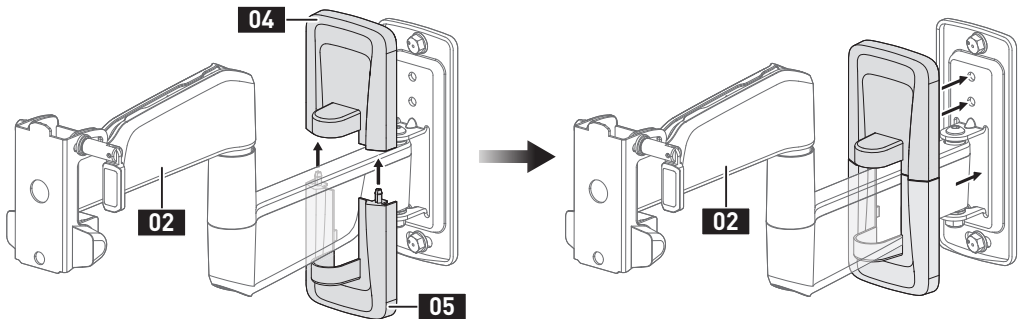
04 x 1



Lower Wall Plate Cover

05 x 1

## STEP 5 Attach the Wall Plate Covers



## Supplied Parts and Hardware for Step 6



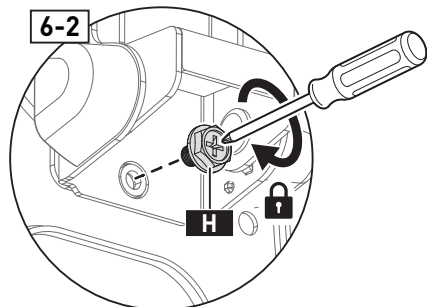
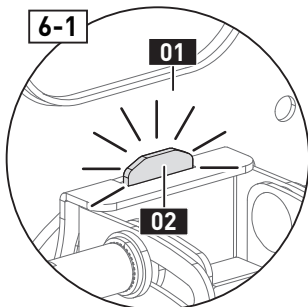
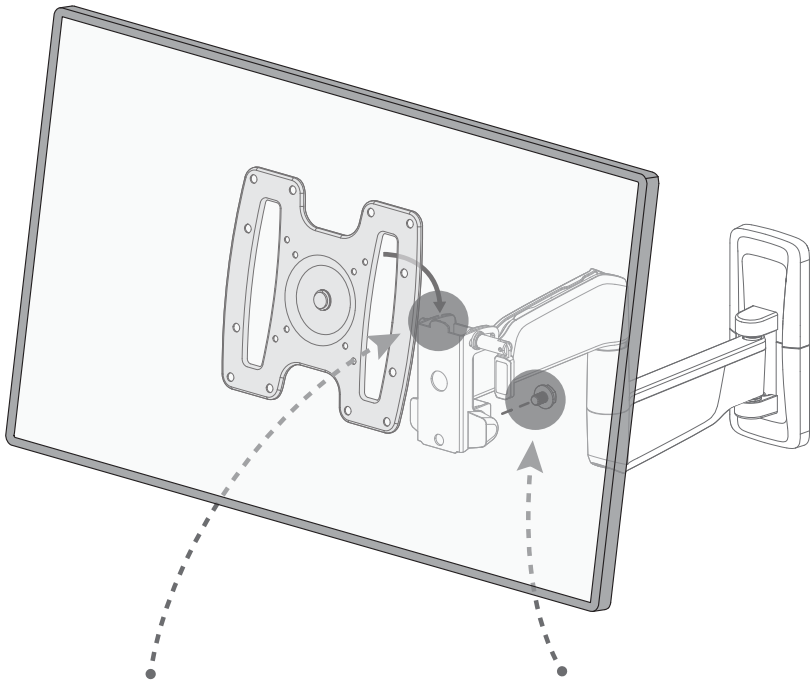
M6 x 6mm  
Bolt

**H** x 1

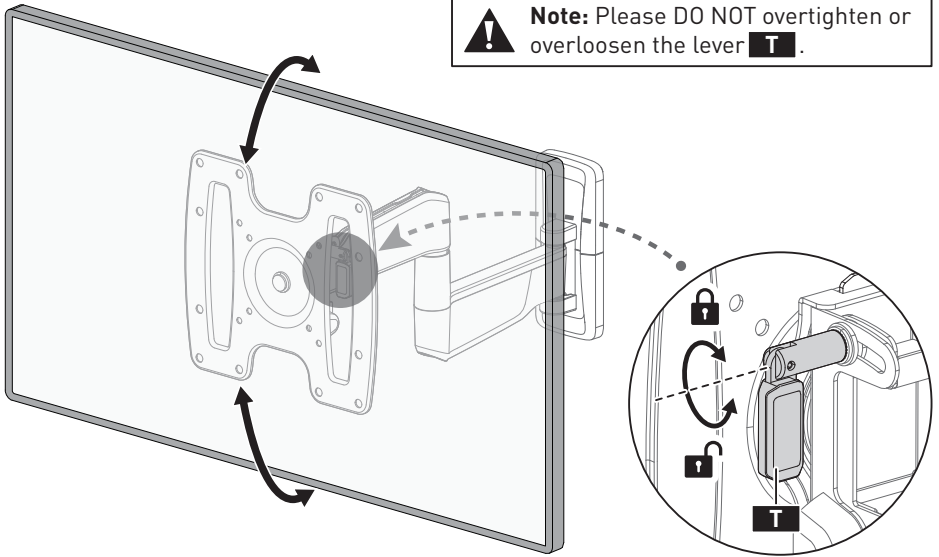
### STEP 6 Hang TV on the Arm Assembly



**HEAVY!** You may need assistance with this step.

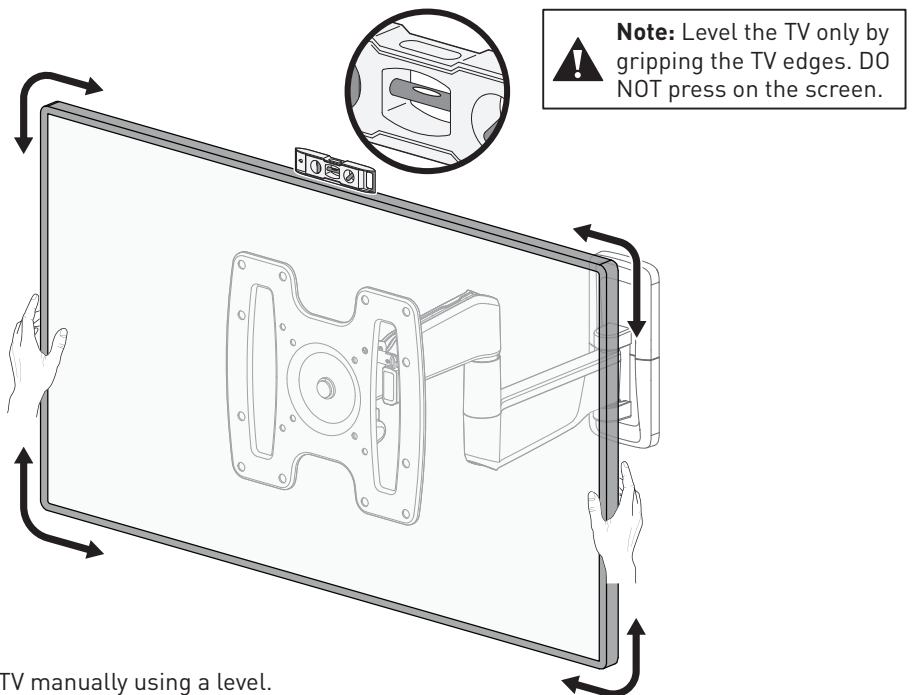


## STEP 7 Tilt Adjustment



Slightly loosen the lever **T**. Tilt the TV to the desired angle. Retighten the lever **T** to hold the TV in position.

## STEP 8 Level Adjustment

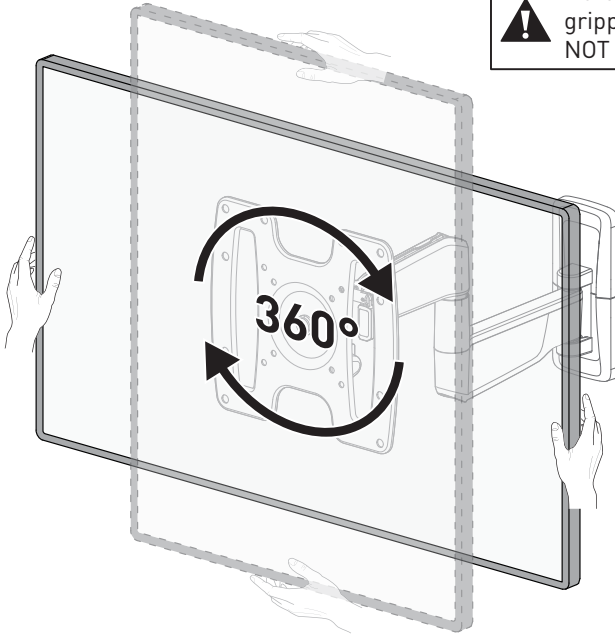


Level the TV manually using a level.

## STEP 9 Rotation



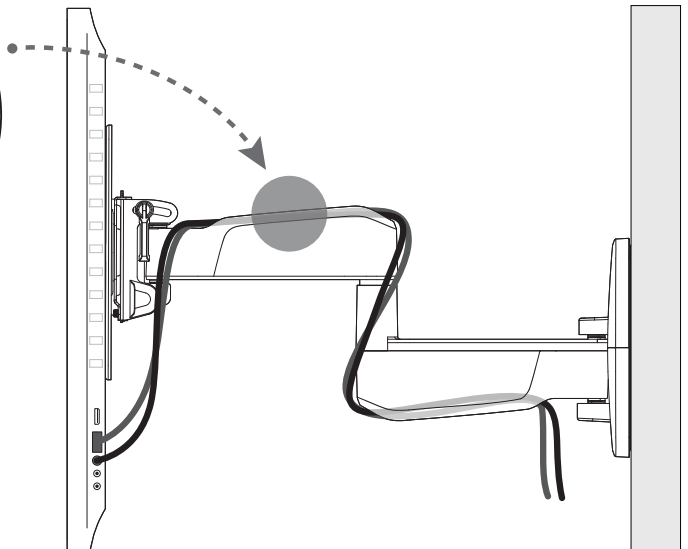
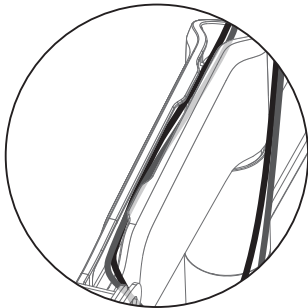
Rotation



**Note:** Rotate the TV only by gripping the TV edges. DO NOT press on the screen.

If needed, the TV can be rotated 360 degrees.

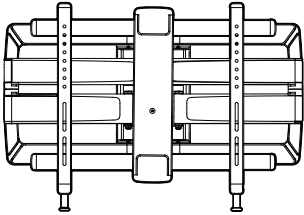
## STEP 10 Cable Management



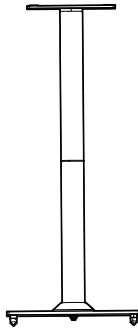


# ERGOAV™

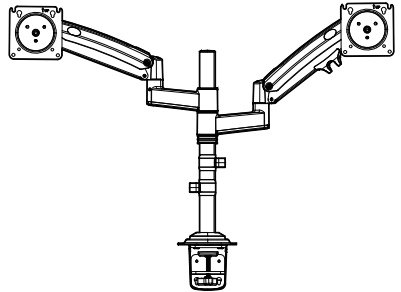
At ErgoAV, our goal is to provide the high-quality audio video solutions and product support that you need. If you have any questions, concerns, or feedback, please let us know!



**TV Mounts**



**Speaker Stands**



**Computer Monitor Mounts**



**ErgoAV**



**9501 Louisiana Ave N, #200, Brooklyn Park, MN 55445**



**(877) 419-7832 Mon-Fri 8am - 8pm (CST)**



**support@ergoav.com**



**www.ergoav.com**