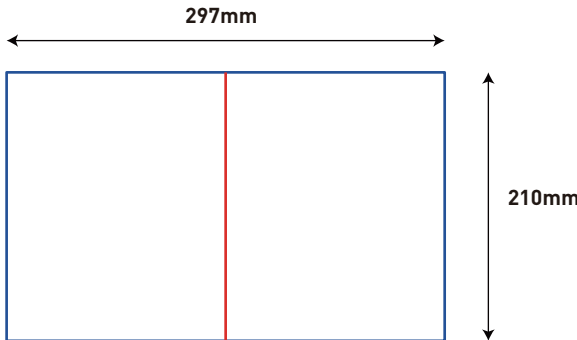


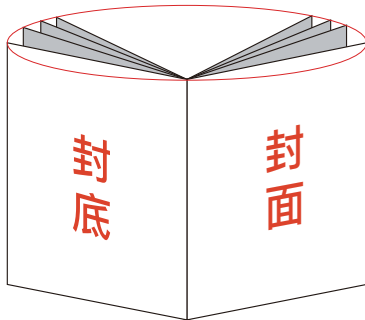
注：此页为技术说明，非印刷内容

刀模线：——
内折线：——

展开尺寸图：



装订效果图：



技术要求：

- 1、材质：封页105g 铜板纸；内页80g双胶纸
- 2、展开尺寸：A4，如图所示装订成型为A5，16页
- 3、颜色：单色
- 4、印刷：印刷图档见后续页，双面印刷
- 5、装订方式：骑马钉

符号标识

版本变更



关键尺寸



编号



参考尺寸



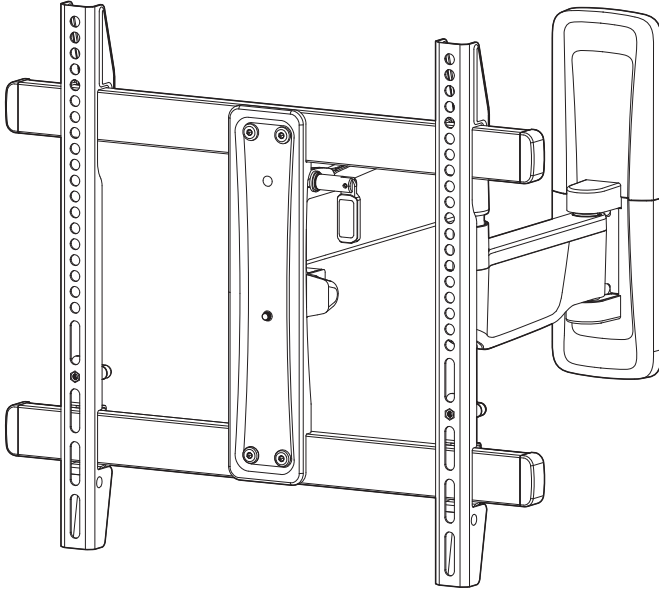
(.XXX)

除 非 另 有 说 明	标记	处数	ECO#	发行时间	名 称 ERMMM8-01B -Manual(单英UL同册) -SAE	PLM号	860-02802-00	
	设计			PM		投影法	第一角投影法	
0-30 ±1	绘图	Max	日期	2024/05/23	图号			
30-150 ±2	审 批	Lily	日期		材 料	版 本	重 量G	比 例
150-300 ±3	除去所有利边，尖点，毛刺			规 格		00		1:1
300-450 ±4						共 1 页		第 1 页
>450 ±5						倍思奇创新科技 (深圳) 股份有限公司		



Medium Motion TV Mount Instruction Manual

Rev00



ERMMM8

Thank you for choosing ErgoAV!

At ErgoAV, our goal is to add value to your AV experience by providing the highest quality products and services in the industry. We offer a 5-year warranty. If you have any questions or concerns, please contact us.



ErgoAV



9501 Louisiana Ave N, #200, Brooklyn Park, MN 55445



(877) 419-7832 Mon-Fri 8am - 8pm (CST)



support@ergoav.com

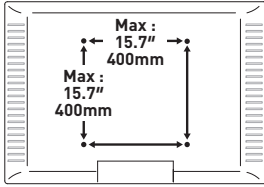


www.ergoav.com

BEFORE GETTING STARTED, LET'S MAKE SURE THIS MOUNT IS COMPATIBLE

1

Check VESA Pattern Compatibility



Compatible VESA Patterns:

100 x 100mm	200 x 200mm	300 x 200mm
100 x 200mm	200 x 300mm	300 x 300mm
200 x 100mm	300 x 150mm	300 x 400mm
Maximum/Minimum:		400 x 200mm
400 x 400mm (15.7" x 15.7")		400 x 300mm
100 x 100mm (3.9 x 3.9")		400 x 400mm

If this mount is not compatible, please contact product support.

2

Check Max Load



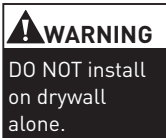
⚠ WARNING

DO NOT exceed the Max Load. Use with products heavier than the Max Load may result in failure of the mount and its accessories, causing possible damage and/or injury.

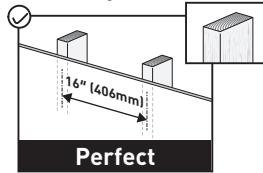
If your TV weighs more, this mount is NOT compatible.

3

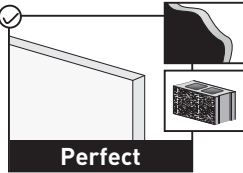
Verify Wall Type



Wood Studs (with Drywall)



Concrete and Concrete Block Walls



4

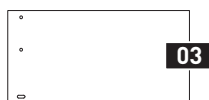
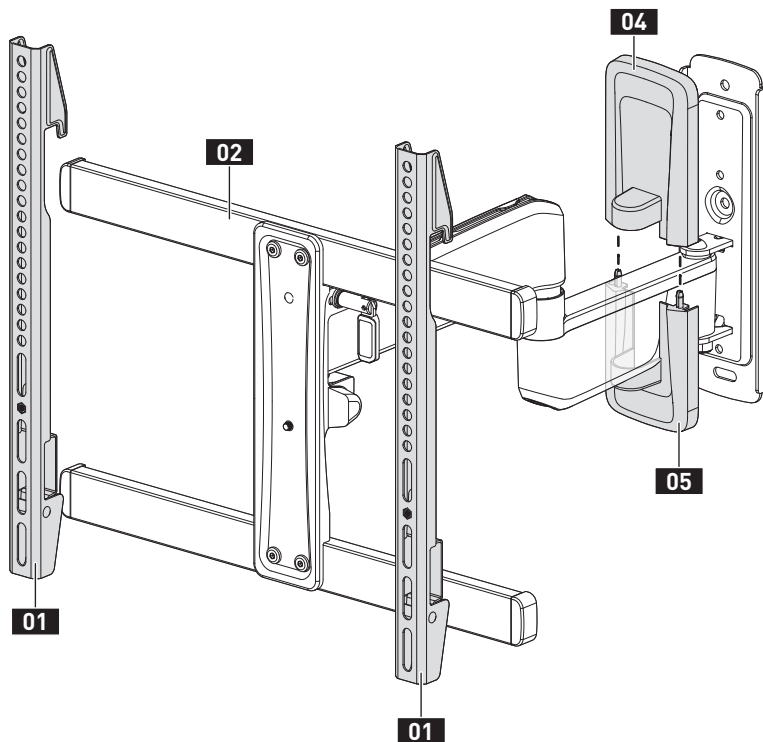
Tools Needed (not included)

Electric Drill	Pencil	Phillips Screwdriver	Level	Tape Measure	1/2" (13mm) Socket Wrench
For Wood Stud Walls			For Concrete and Concrete Block Walls		
Stud Finder	Awl	7/32" (5.5mm) Wood Drill Bit	Hammer	3/8" (10mm) Concrete Drill Bit	

5

Important Safety Information

- ⚠ DANGER:** Please carefully read all instructions before attempting installation. If you DO NOT understand the instructions or have any questions or concerns, please call technical support or email customer service.
 - ⚠ CAUTION:** Avoid the risk of personal injury and property damage!
 - ⚠ WARNING:** All fasteners must be firmly tightened!
 - This mount can only be installed on wood studs, concrete and concrete block walls. DO NOT install on drywall alone.
 - The wall must be capable of supporting four times the weight of the TV and mount combined.
 - This product contains small parts that may pose a choking hazard.
 - DO NOT use this product for any purpose that is NOT explicitly specified in this manual. DO NOT exceed the maximum weight capacity. We are not liable for damage or injury caused by incorrect assembly, improper mounting, or inappropriate use.
 - Use this mounting system only for its intended purpose as described in these instructions. DO NOT use attachments not recommended by the manufacturer.
 - DO NOT use outdoors.
 - Route cords and cables properly to avoid mechanical damage.
- SAVE THESE INSTRUCTIONS**



01 TV Bracket

02 Arm Assembly / Wall Plate

03 Wall Plate Template

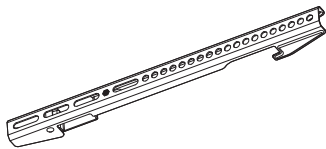
04 Upper Wall Plate Cover

05 Lower Wall Plate Cover

INSTALLATION

Supplied Parts and Hardware for Step 1

Not all hardware included in this package will be used.



TV Bracket

01 x 2



M4/M5
Washer

B1 x 4



M6/M8
Washer

B2 x 4



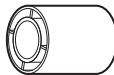
L2.5mm
Spacer

F1 x 8



L10mm
Spacer

F2 x 4



L22mm
Spacer

F3 x 4

M4



M4 x 12mm
TV Bolt

C1 x 4



M4 x 30mm
TV Bolt

C2 x 4

M8



M8 x 25mm
TV Bolt

E1 x 4

M6



M6 x 15mm
TV Bolt

D1 x 4



M6 x 35mm
TV Bolt

D2 x 4



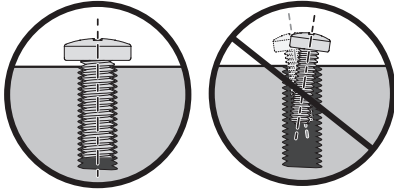
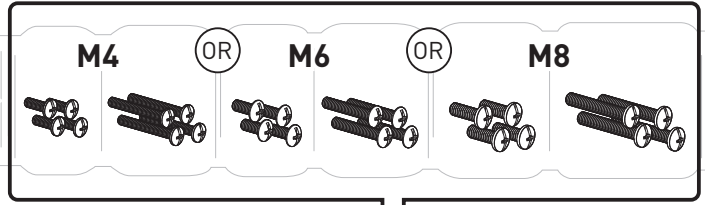
M8 x 50mm
TV Bolt

E2 x 4

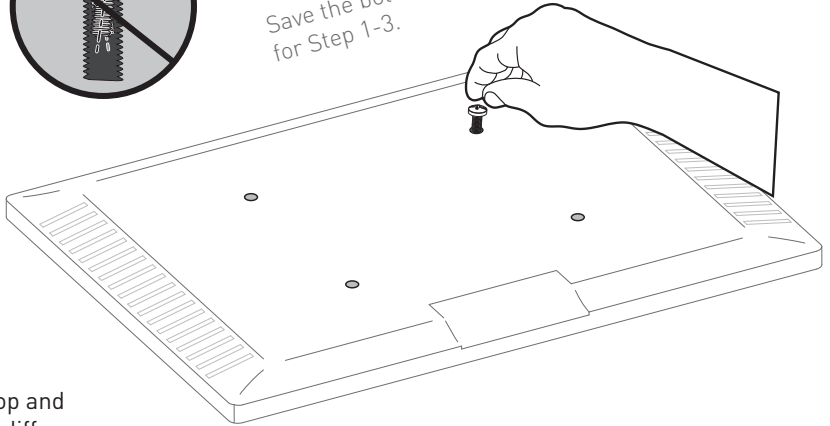
STEP 1 Attach the TV Brackets to Your TV

1-1 Select TV Bolts

The correct bolt diameter will thread smoothly into your TV.

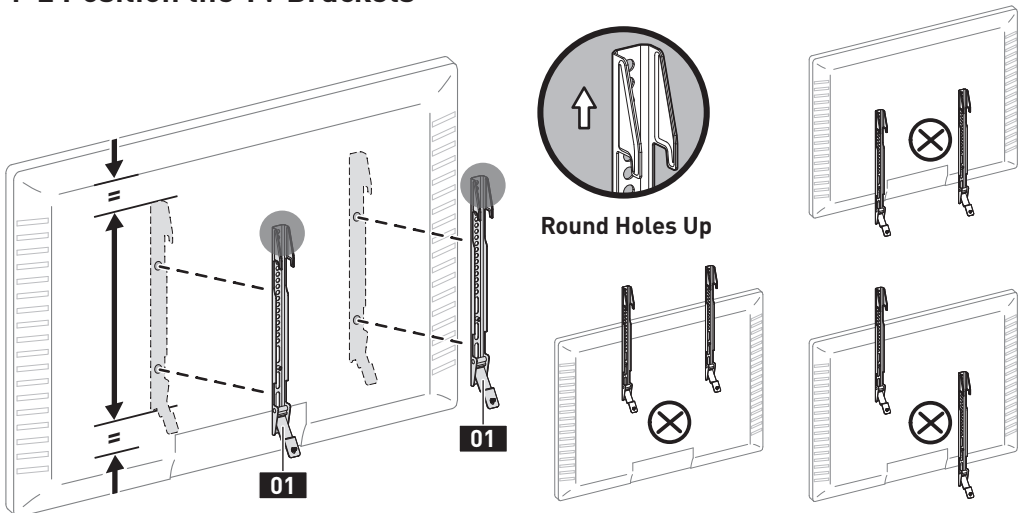


Save the bolts that fit (M4, M6, or M8) for Step 1-3.



The depth of the top and bottom holes may differ.

1-2 Position the TV Brackets



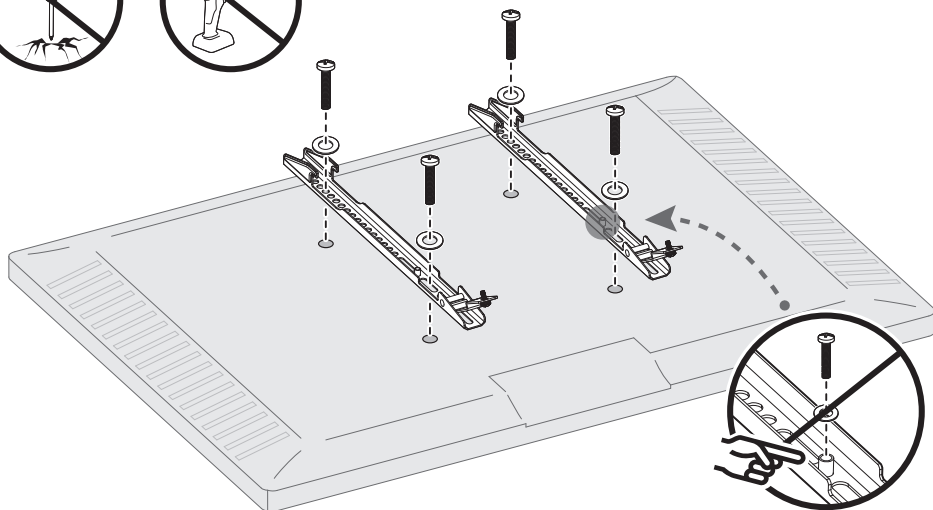
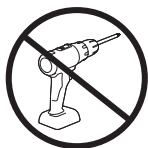
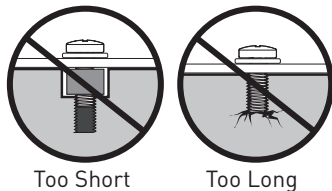
1-3 Secure the TV Brackets

For Flat-Back TV, go to Option A on this page.

For Bump, Curved TV, Recessed Holes and Cables, go to Option B on next page.

⚠ WARNING:

- DO NOT turn the bolt past the bottom of the hole.
- If the bolt is too short, it may not adequately support the TV.
- If the bolt is too long, it could damage the TV.
- At least 4-5 turns into the threading is required.
- **The depth of the bottom holes may be different from the top holes.**

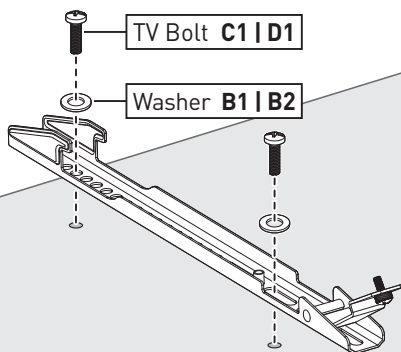


Option A

Use **short** TV bolts with washers.



Flat-Back TV

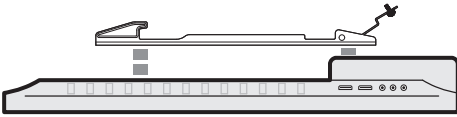


Option B

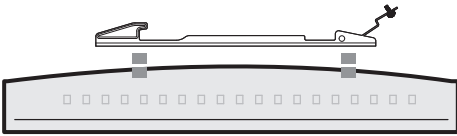
Use **long** TV bolts with washers and spacers to create extra space between the TV and brackets.



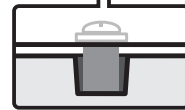
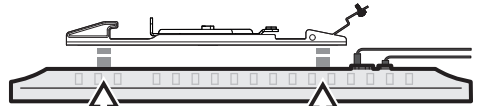
Bump



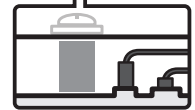
Curved TV



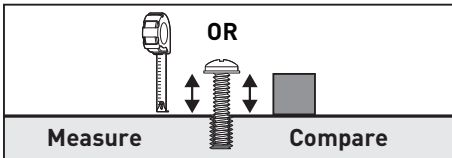
TV with Mounting Restrictions



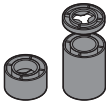
Recessed Holes



Protruding Cables



You can use a tape measure to measure the protruding bolts or hold spacers next to them to choose the right spacer combination.



Note:

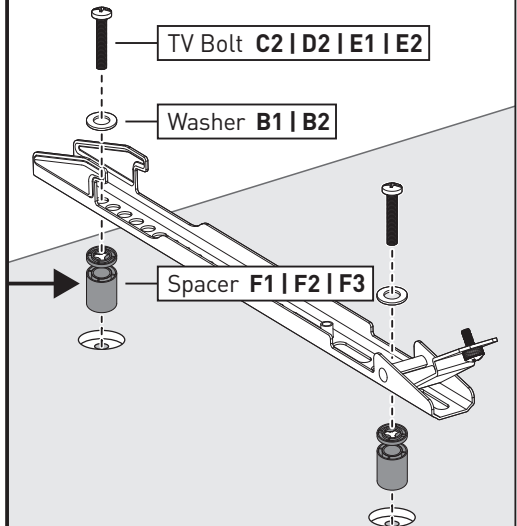
There are many possible spacer combinations that can be used.



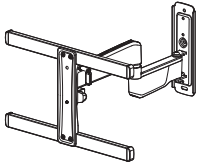
(877) 419-7832
Mon-Fri 8am - 8pm (CST)



support@ergoav.com



Supplied Parts and Hardware for Step 2



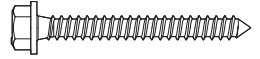
Arm Assembly / Wall Plate

02 x 1



Wall Plate Template

03 x 1



ST 5/16 x 2 3/4"

Lag Screw

A1 x 3



Wall Anchor

A2 x 3

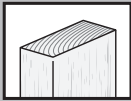
⚠ CAUTION!

This anchor is for concrete and concrete block walls ONLY. DO NOT use them in drywall or wood studs.

STEP 2 Mount the Arm Assembly / Wall Plate on the Wall

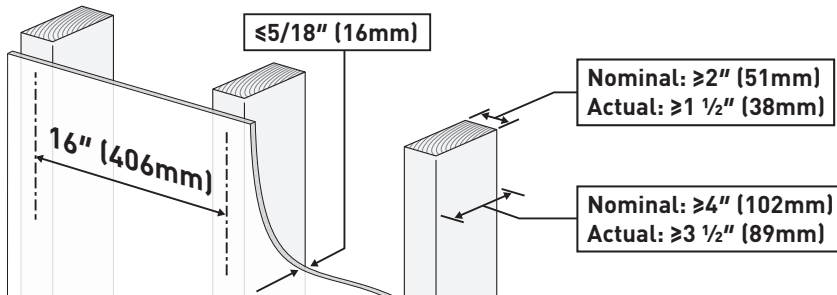
For mounting on wood stud walls, go to Option A on page 08 to 09.

For mounting on concrete and concrete block walls, go to Option B on page 10 to 11.



Option A

For Wood Stud Installation



🔧 Tools Needed (Not Included)



Electric Drill



Pencil



Tape Measure



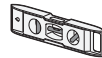
Stud Finder



Awl



7/32" (5.5mm)
Wood Drill Bit



Level



1/2" (13mm)
Socket Wrench

⚠ WARNING:

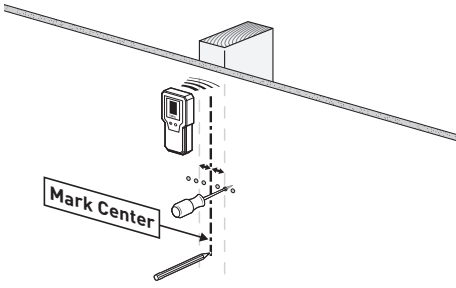
- Avoid the risk of personal injury or property damage! Tighten the lag screws **A1** only until they are pulled firmly against the wall plate (**DO NOT overtighten**). DO NOT use a drill; only use a socket wrench.
- DO NOT use wall anchors **A2** for this mounting option.



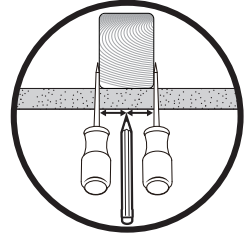
A2

Wall Anchor

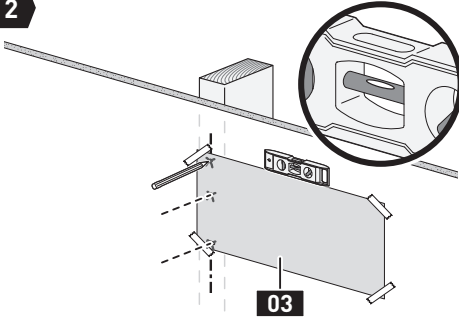
1



Find Studs and Mark Holes

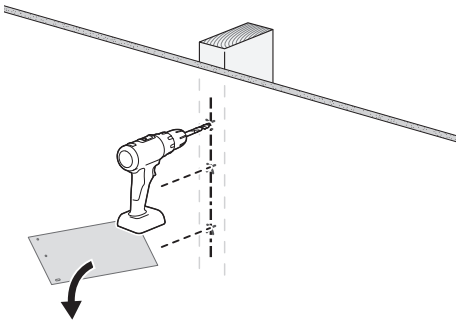


2



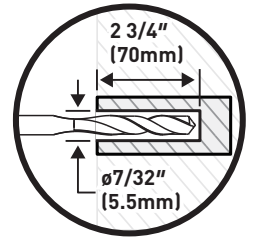
Mark 3 Hole Positions

3

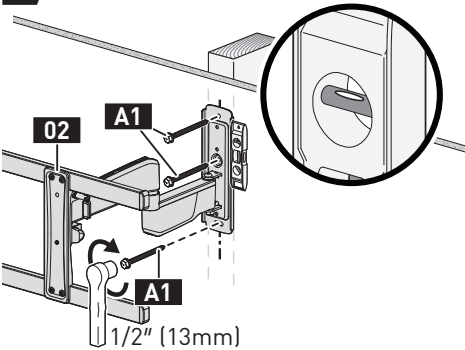


Drill 3 Holes

⚠ Note: Be sure to use the specified drill bit.

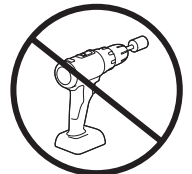


4

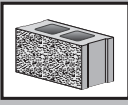
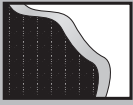


Secure the Wall Plate

⚠ **HEAVY!** You may need assistance with this step.

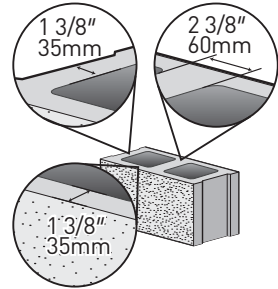
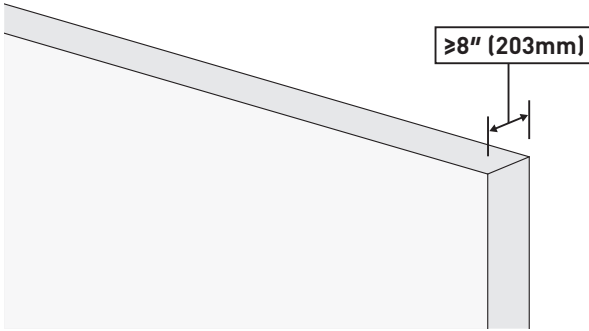


Go to Step 3 on Page 12



Option B

For Concrete and Concrete Block Wall Installation



Tools Needed (Not Included)



Electric Drill



Pencil



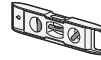
Tape Measure



Hammer



3/8" (10mm)
Concrete Drill Bit



Level



1/2" (13mm)
Socket Wrench

WARNING:

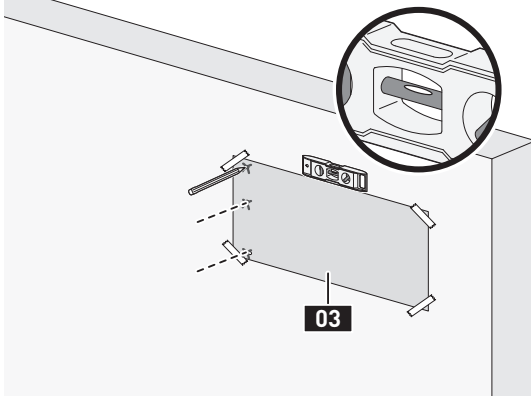
- Avoid the risk of personal injury or property damage! Tighten the lag screws **A1** only until they are pulled firmly against the wall plate (**DO NOT overtighten**). DO NOT use a drill; only use a socket wrench.
- Use wall anchors **A2** for this mounting option.
- Mount the wall plate directly on the concrete surface.
- Minimum concrete block size: 8" x 8" x 16" (203 x 203 x 406mm)



A2

Wall Anchor

1



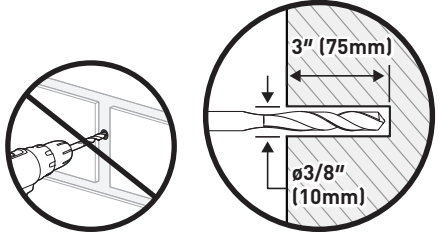
Mark 3 Hole Positions

2

Drill 3 Holes

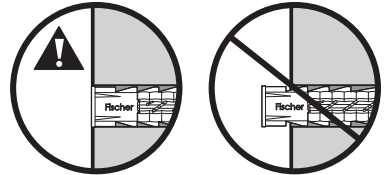
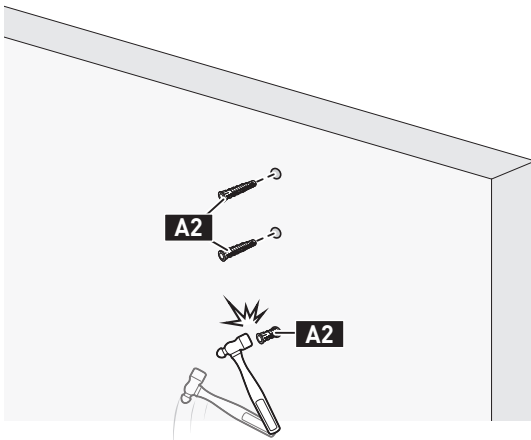
Note:

- Be sure to use the specified drill bit.
- Never drill into the mortar between blocks.





3

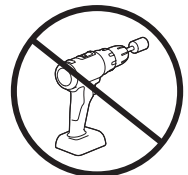
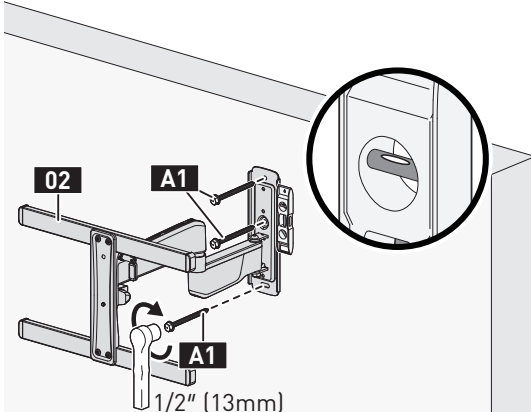
Tap Wall Anchors In



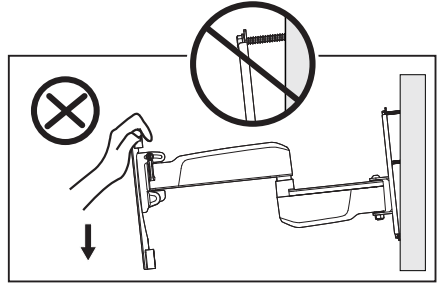
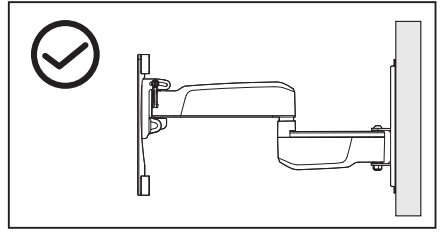
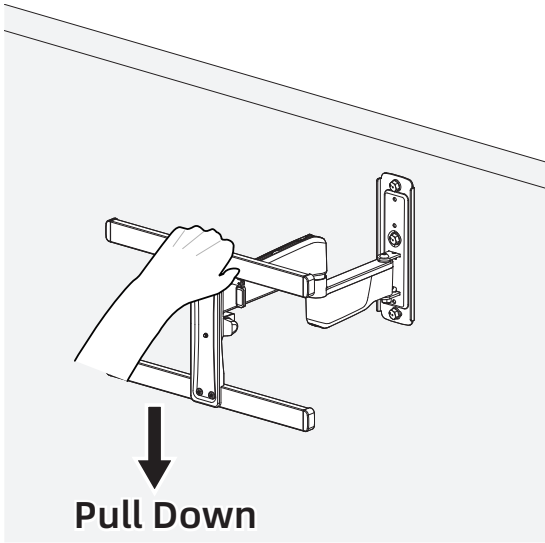
4

Secure the Wall Plate

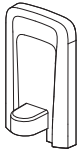
  **HEAVY!** You may need assistance with this step.



STEP 3 Verify Wall Plate is Firmly Mounted

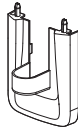


Supplied Parts and Hardware for Step 4



Upper Wall Plate Cover

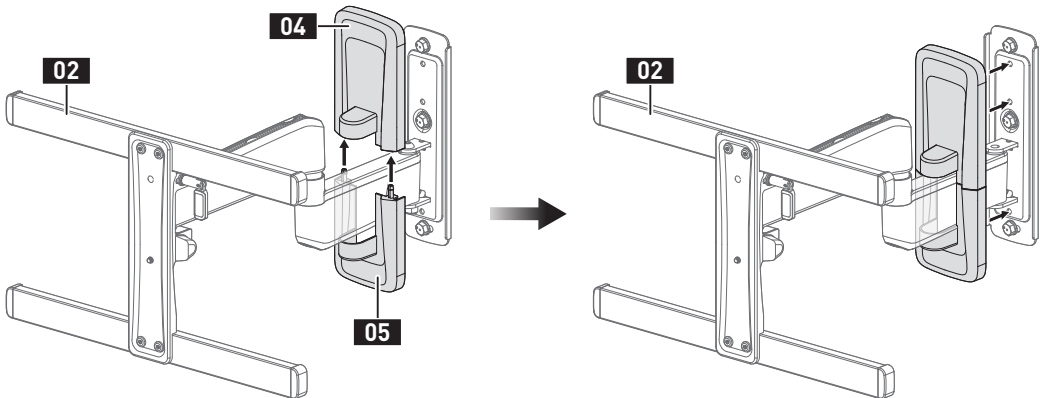
04 x 1



Lower Wall Plate Cover

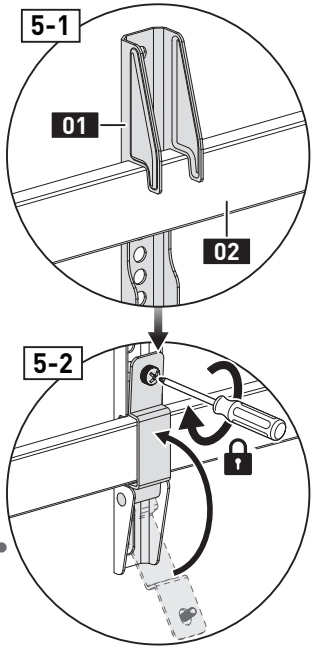
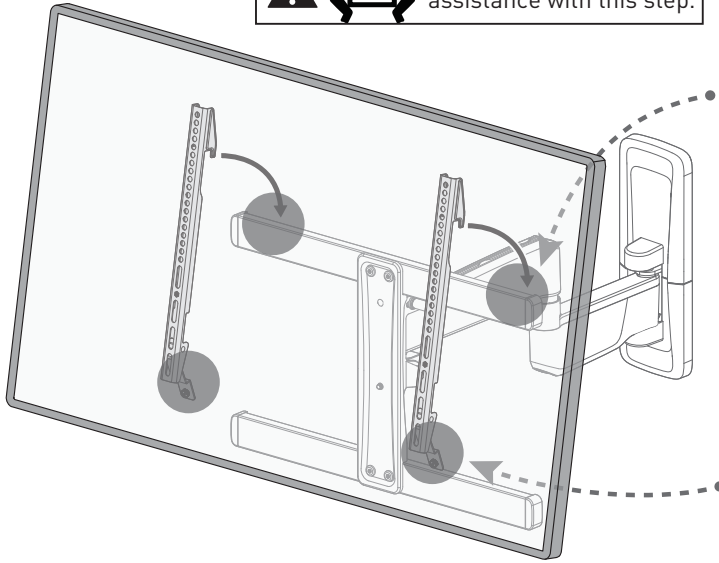
05 x 1

STEP 4 Attach the Wall Plate Covers

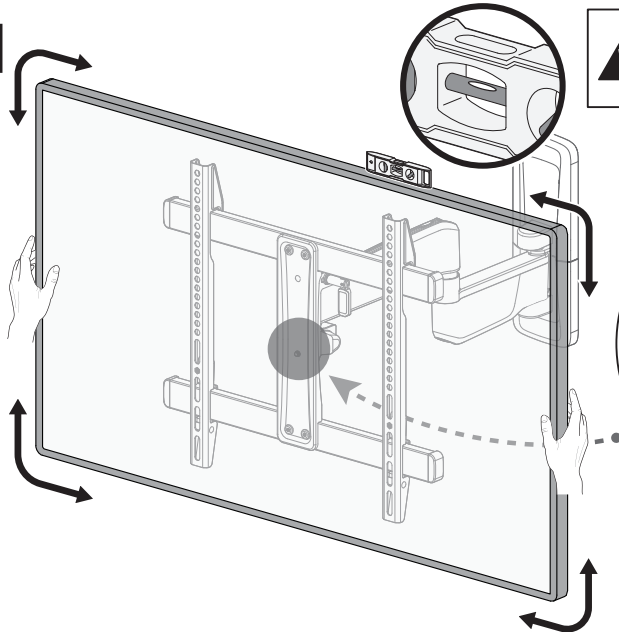



STEP 5 Hang TV on the Front Support

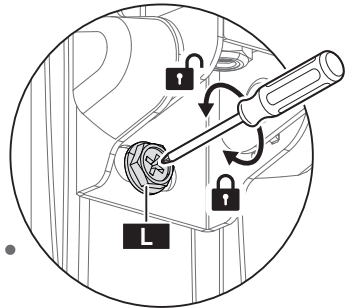
  **HEAVY!** You may need assistance with this step.



STEP 6 Level Adjustment



 **Note:** Please **DO NOT** overtighten or overloosen the bolt **L**.

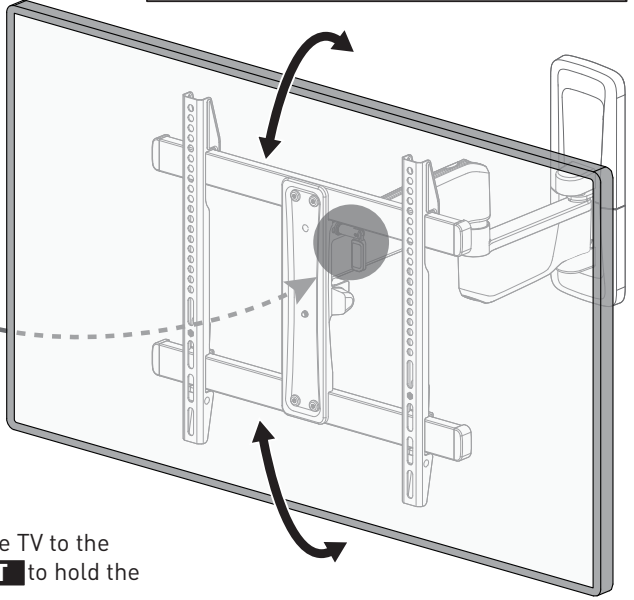
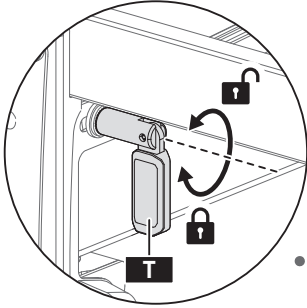


Level your TV using a level. If it is difficult to level your TV, slightly loosen the leveling bolt **L**, then level your TV. Retighten the leveling bolt **L** to hold the TV in position.

STEP 7 Tilt Adjustment

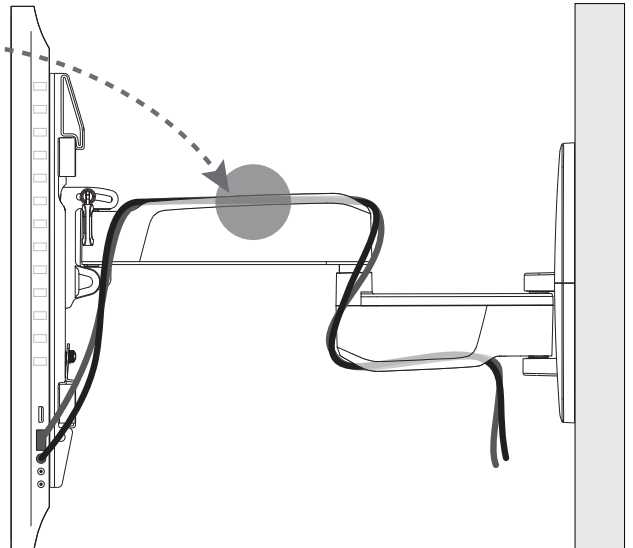
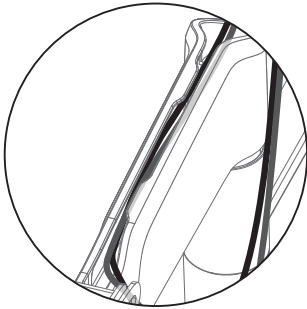


Note: Please DO NOT overtighten or overloosen the lever **T**.



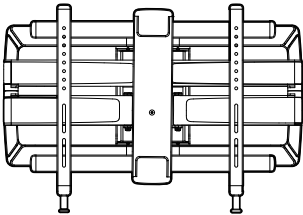
Slightly loosen the lever **T**. Tilt the TV to the desired angle. Retighten the lever **T** to hold the TV in position.

STEP 8 Cable Management

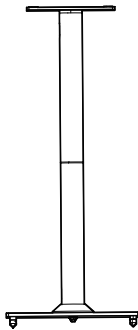


ERGOAV™

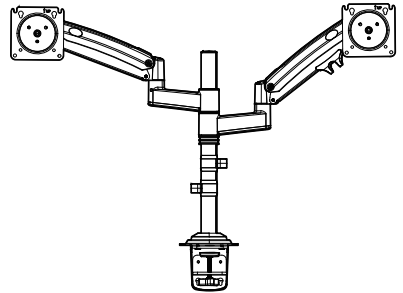
At ErgoAV, our goal is to provide the high-quality audio video solutions and product support that you need. If you have any questions, concerns, or feedback, please let us know!



TV Mounts



Speaker Stands



Computer Monitor Mounts



ErgoAV



9501 Louisiana Ave N, #200, Brooklyn Park, MN 55445



(877) 419-7832 Mon-Fri 8am - 8pm (CST)



support@ergoav.com



www.ergoav.com