

注：此页为技术说明，非印刷内容

刀模线：——

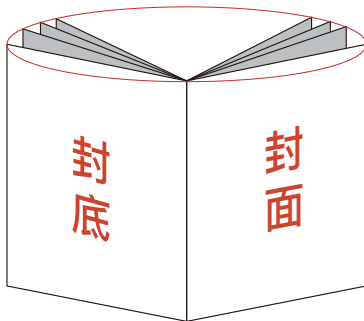
内折线：——

297mm

展开尺寸图：

210mm

装订效果图：



技术要求：

- 1、材质：105g 铜板纸
- 2、展开尺寸：A4，如图所示折叠成型为A5，20P
- 3、颜色：单色
- 4、印刷：印刷图档见后续页，双面印刷
- 5、装订方式：骑马钉

未经倍思奇书面许可，不得复制或全部内容。违者本公司保留追究法律责任的权利。

				名称	ERMML5- Manual(单英)-SAE	PLM号	860-02785-00	
				图号		投影法	第一角投影法	
				图号				
				材料		版本	重量G	比例
				规格		00		1:1
						共1页		第1页
						倍思奇创新科技 (深圳)股份有限公司		

标记	处数	ECO#	发行时间
设计		P M	
绘图	Zoey	日期	2024/04/19
审批	Lily	日期	2024/04/19
除去所有利边，尖点，毛刺			

符号标识

版本变更

修订

关键尺寸

XXX

编号

##

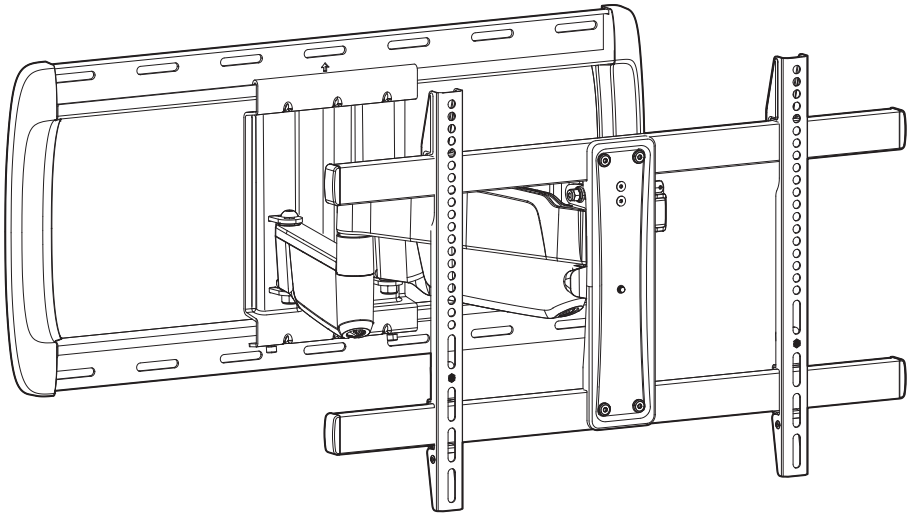
参考尺寸

(X.XX)



# Large Motion TV Mount Instruction Manual

Rev00



## ERMML5

**Thank you for choosing ErgoAV!**

At ErgoAV, our goal is to add value to your AV experience by providing the highest quality products and services in the industry. We offer a 5-year warranty. If you have any questions or concerns, please contact us.



ErgoAV



9501 Louisiana Ave N, #200, Brooklyn Park, MN 55445



(877) 419-7832 Mon-Fri 8am - 8pm (CST)



support@ergoav.com

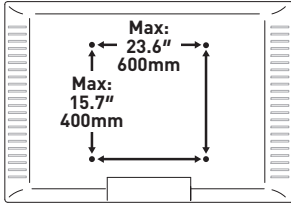


www.ergoav.com

# BEFORE GETTING STARTED, LET'S MAKE SURE THIS MOUNT IS COMPATIBLE

1

Check VESA Pattern Compatibility



## Compatible VESA Patterns:

200 x 100mm	300 x 300mm	400 x 400mm
200 x 200mm	400 x 200mm	500 x 400mm
300 x 200mm	400 x 300mm	600 x 400mm

## Maximum/Minimum:

600 x 400mm (23.6 x 15.7")  
200 x 100mm (7.9 x 3.9")

If this mount is not compatible, please contact product support.

2

Check Max Load



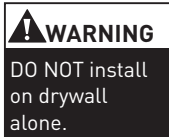
## ⚠ WARNING

DO NOT exceed the Max Load. Use with products heavier than the Max Load may result in failure of the mount and its accessories, causing possible damage and/or injury.

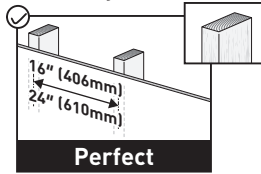
If your TV weighs more, this mount is NOT compatible.

3

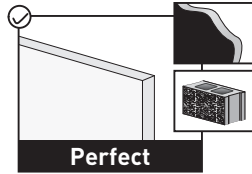
Verify Wall Type



## Wood Studs (with Drywall)

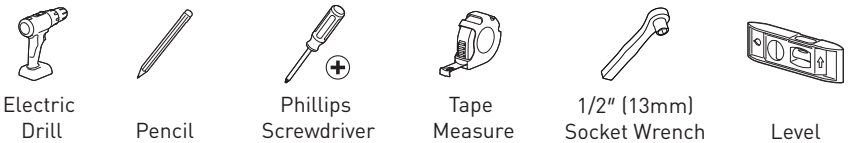


## Concrete and Concrete Block Walls



4

Tools Needed (not included)



**For Wood Stud Walls**

Stud Finder      Awl      7/32" (5.5mm) Wood Drill Bit

**For Concrete and Concrete Block Walls**

Hammer      3/8" (10mm) Concrete Drill Bit

5

Important Safety Information

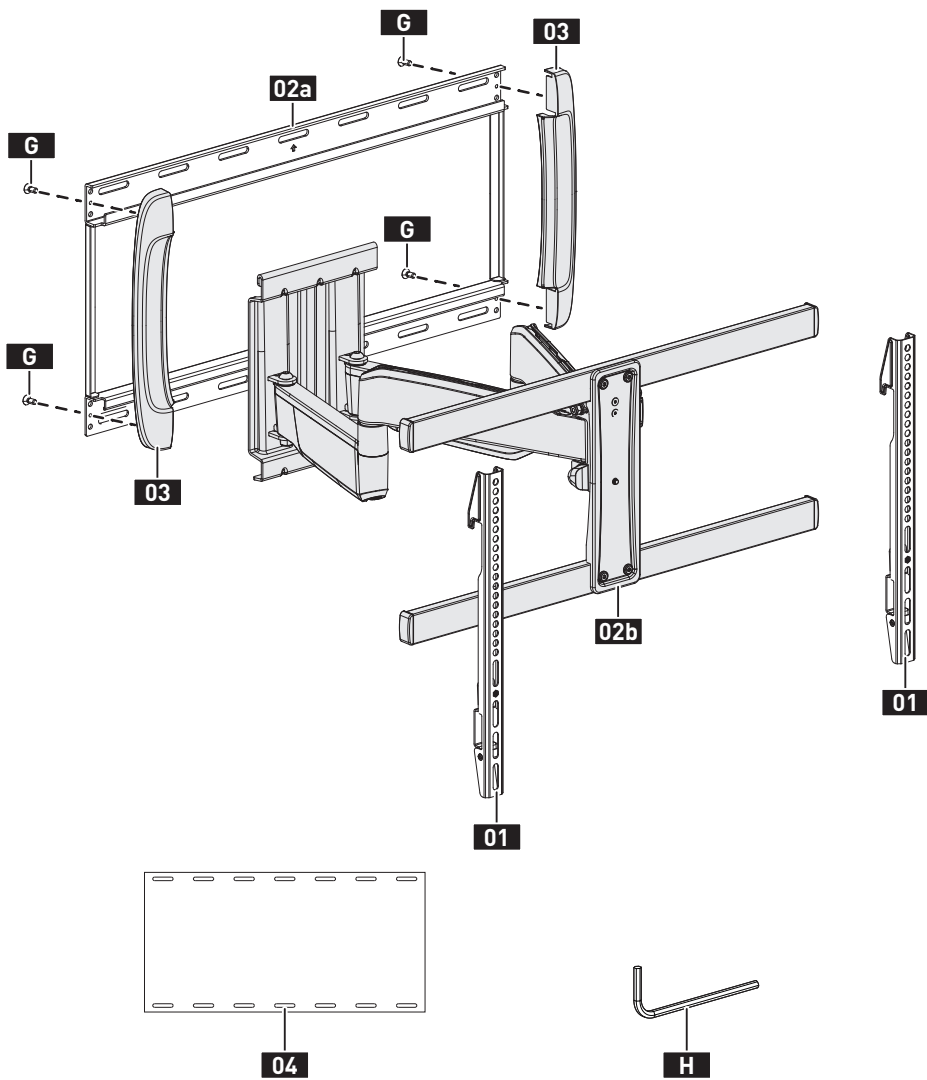
**⚠ DANGER:** Please carefully read all instructions before attempting installation. If you DO NOT understand the instructions or have any questions or concerns, please call technical support or email customer service.

**⚠ CAUTION:** Avoid the risk of personal injury and property damage!

**⚠ WARNING:** All fasteners must be firmly tightened!

- This mount can only be installed on wood studs, concrete and concrete block walls. DO NOT install on drywall alone.
- The wall must be capable of supporting four times the weight of the TV and mount combined.
- This product contains small parts that may pose a choking hazard.
- DO NOT use this product for any purpose that is NOT explicitly specified in this manual. DO NOT exceed the maximum weight capacity. We are not liable for damage or injury caused by incorrect assembly, improper mounting, or inappropriate use.
- Use this mounting system only for its intended purpose as described in these instructions. DO NOT use attachments not recommended by the manufacturer.
- DO NOT use outdoors.
- Route cords and cables properly to avoid mechanical damage.

**SAVE THESE INSTRUCTIONS**

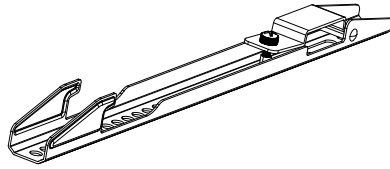


- |                         |                               |
|-------------------------|-------------------------------|
| <b>01</b> TV Bracket    | <b>04</b> Wall Plate Template |
| <b>02a</b> Wall Plate   | <b>G</b> Bolt                 |
| <b>02b</b> Arm assembly | <b>H</b> Allen Key            |
| <b>03</b> End Cap       |                               |

# INSTALLATION

## Supplied Parts and Hardware for Step 1

Not all hardware included in this package will be used.



TV Bracket

**01** x 2



M4/M5  
Washer

**B1** x 4



M6/M8  
Washer

**B2** x 4



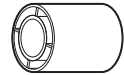
L2.5mm  
Spacer

**F1** x 8



L10mm  
Spacer

**F2** x 4



L22mm  
Spacer

**F3** x 4

**M4**



M4 x 12mm  
TV Bolt

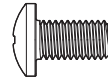
**C1** x 4



M4 x 30mm  
TV Bolt

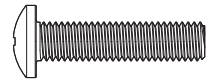
**C2** x 4

**M8**



M8 x 15mm  
TV Bolt

**E1** x 4



M8 x 35mm  
TV Bolt

**E2** x 4

**M6**



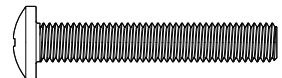
M6 x 15mm  
TV Bolt

**D1** x 4



M6 x 35mm  
TV Bolt

**D2** x 4



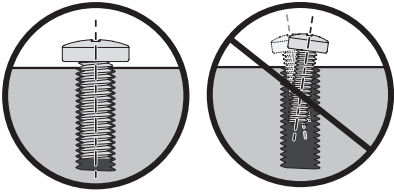
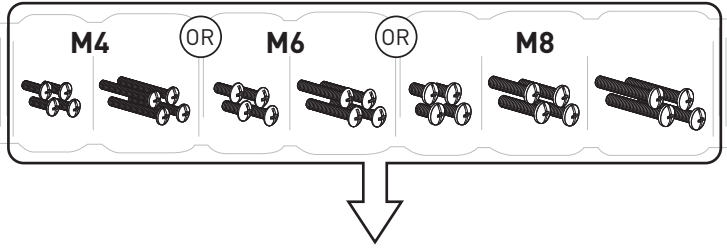
M8 x 50mm  
TV Bolt

**E3** x 4

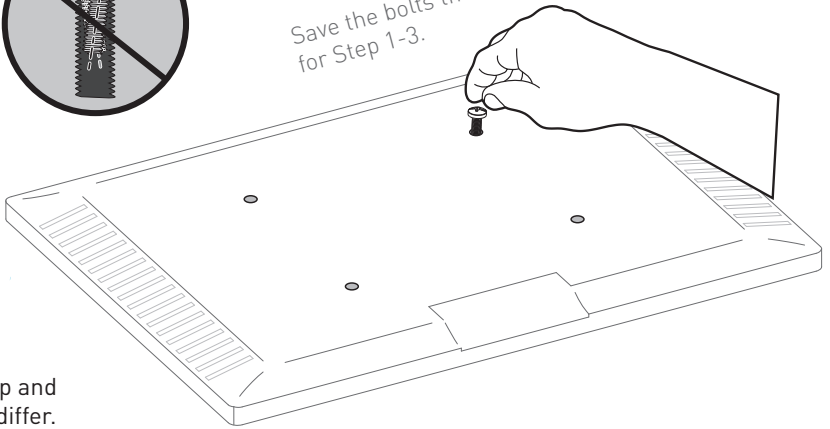
# STEP 1 Attach the TV Brackets to Your TV

## 1-1 Select TV Bolts

The correct bolt diameter will thread smoothly into your TV.

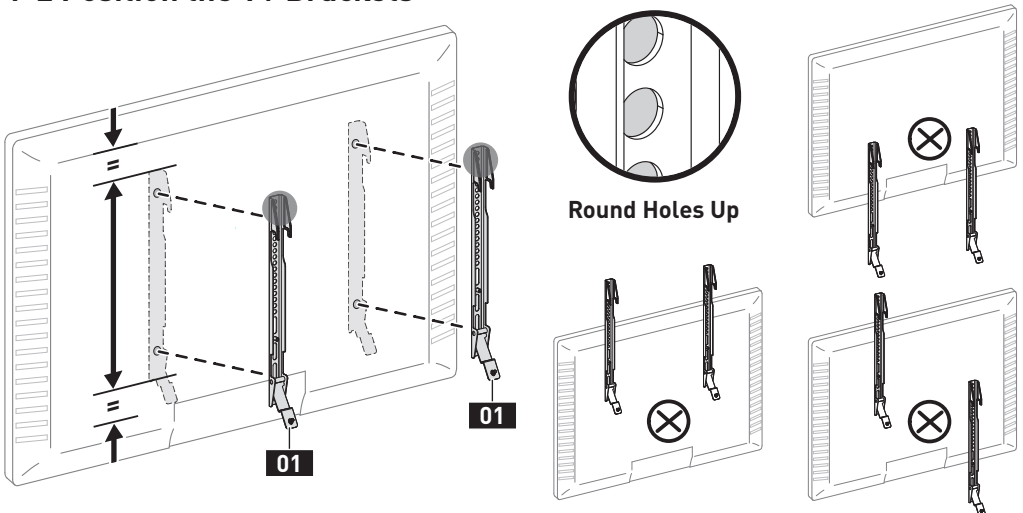


Save the bolts that fit (M4, M6, or M8) for Step 1-3.



The depth of the top and bottom holes may differ.

## 1-2 Position the TV Brackets



## 1-3 Secure the TV Brackets

For Flat-Back TV, go to Option A on this page.

For Bump, Curved TV, Recessed Holes and Cables, go to Option B on next page.

### ⚠ WARNING:

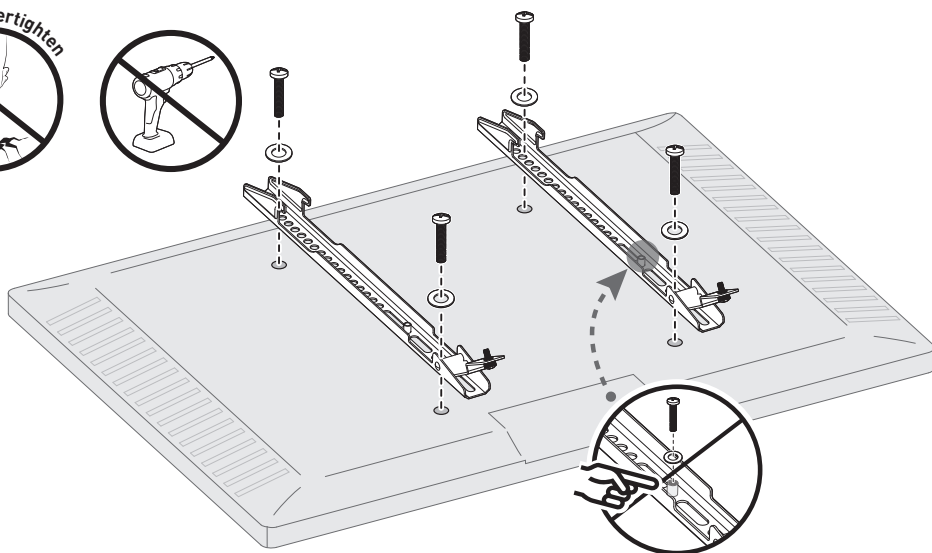
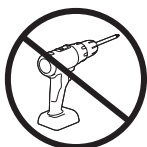
- DO NOT turn the bolt past the bottom of the hole.
- If the bolt is too short, it may not adequately support the TV.
- If the bolt is too long, it could damage the TV.
- At least 4-5 turns into the threading is required.
- **The depth of the bottom holes may be different from the top holes.**



Too Short



Too Long

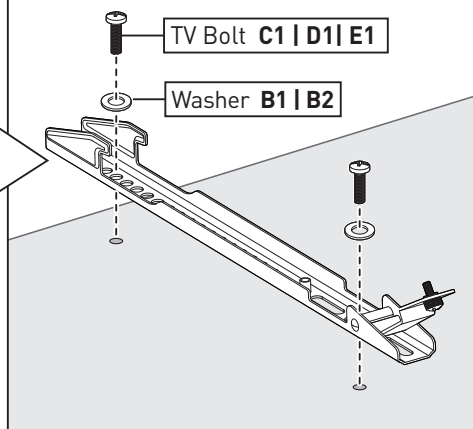


### Option A

Use **short** TV bolts with washers.



Flat-Back TV

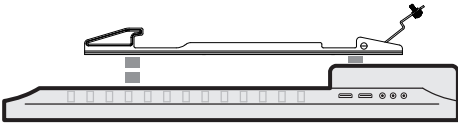


# Option B

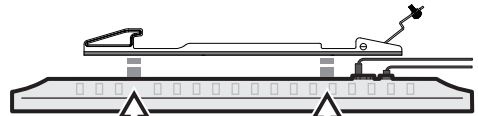
Use **long** TV bolts with washers and spacers to create extra space between the TV and brackets.



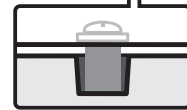
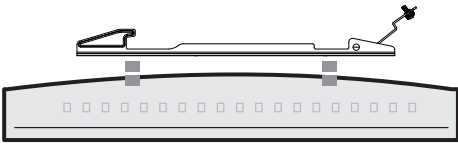
## Bump



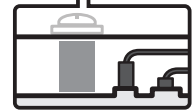
## TV with Mounting Restrictions



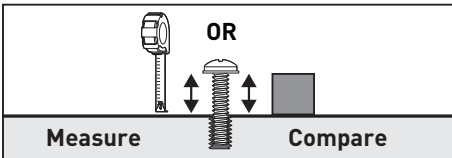
## Curved TV



Recessed Holes



Protruding Cables

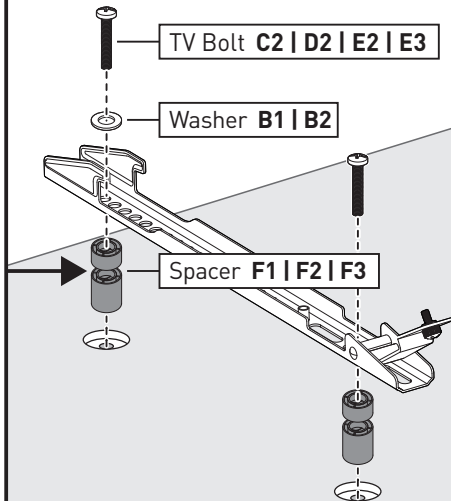


You can use a tape measure to measure the protruding bolts or hold spacers next to them to choose the right spacer combination.



### ⚠ Note:

There are many possible spacer combinations that can be used.



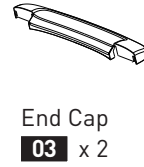
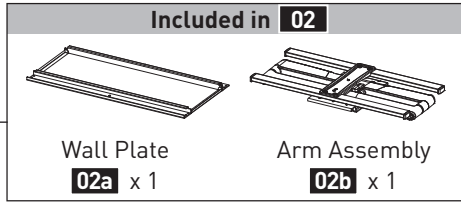
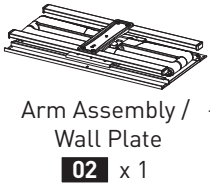
[877] 419-7832  
Mon-Fri 8am - 8pm (CST)



support@ergoav.com

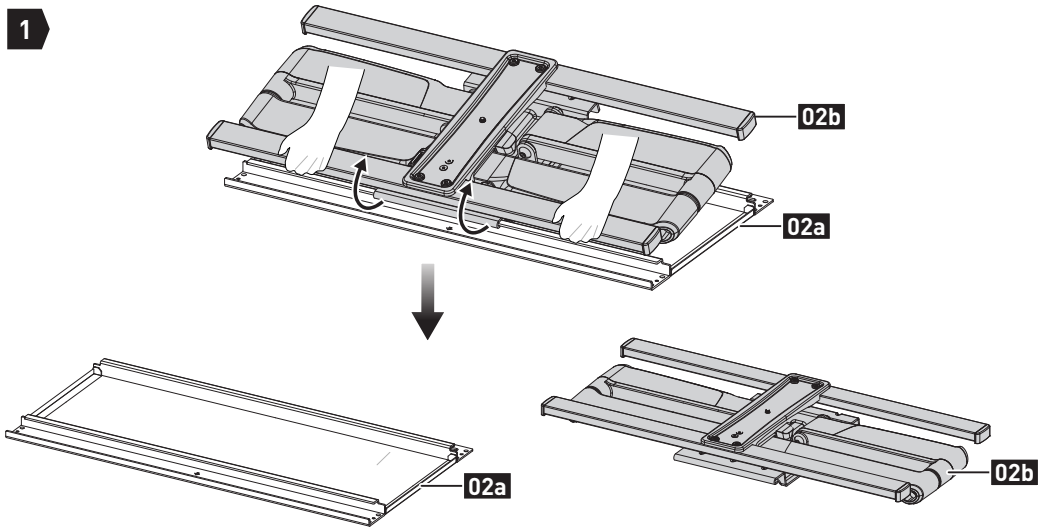


## Supplied Parts and Hardware for Step 2

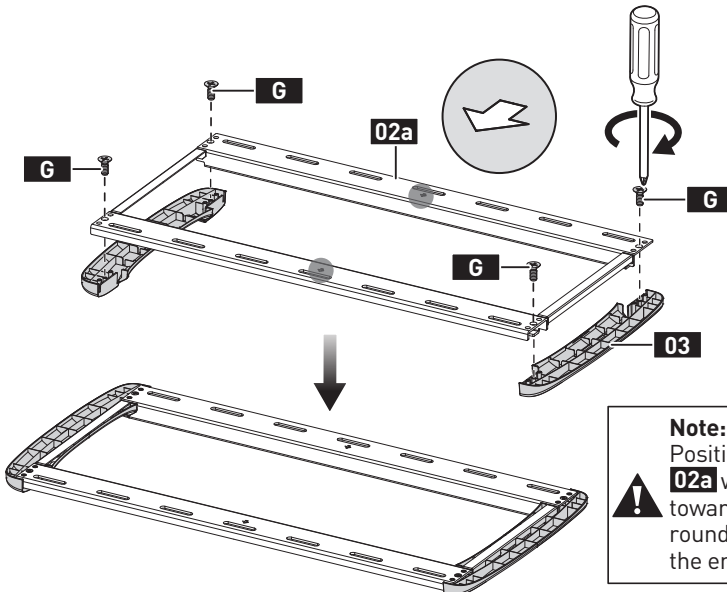


## STEP 2 Attach the End Caps to the Wall Plate

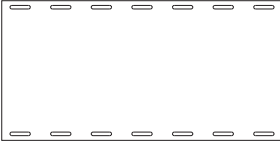
1



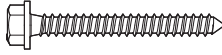
2



## Supplied Parts and Hardware for Step 3



Wall Plate Template  
**04** x 1



ST 5/16 x 2 3/4"  
Lag Screw  
**A1** x 5



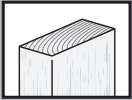
Wall Anchor  
**A2** x 5

**CAUTION!**  
This anchor is for concrete and concrete block walls **ONLY**. **DO NOT** use them in drywall or wood studs.

### STEP 3 Mount the Wall Plate on the Wall

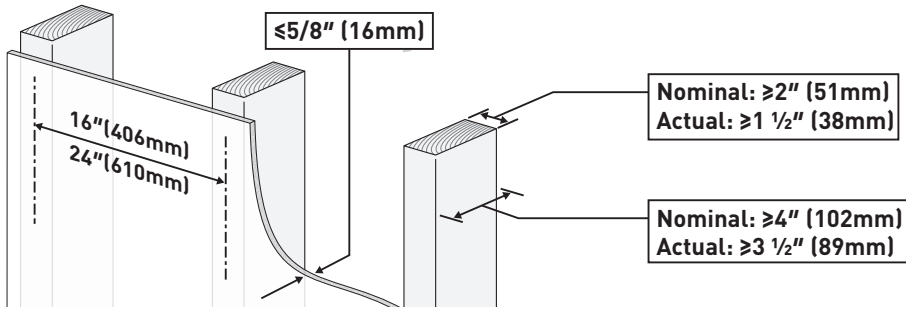
For mounting on wood stud walls, go to Option A on page 09 to 10.

For mounting on concrete and concrete block walls, go to Option B on page 11 to 12.



#### Option A

For Wood Stud Installation



#### Tools Needed (Not Included)



Electric Drill



Pencil



Tape Measure



Stud Finder



Awl



7/32" (5.5mm)  
Wood Drill Bit



Level



1/2" (13mm)  
Socket Wrench

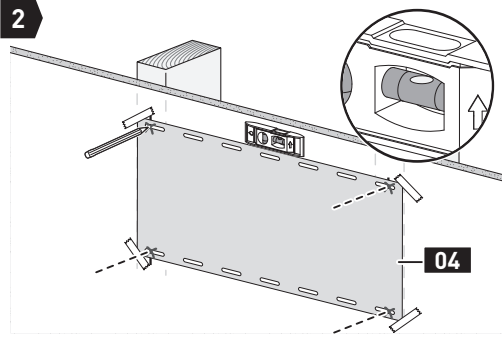
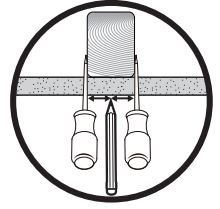
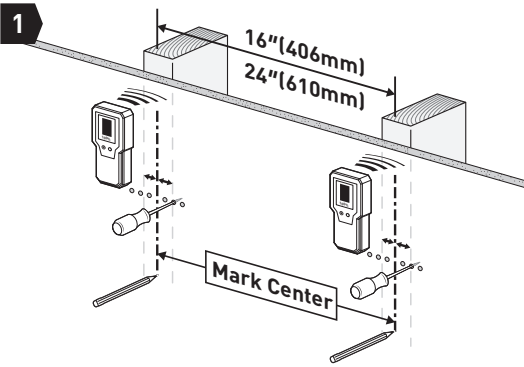
#### WARNING:

- Avoid the risk of personal injury or property damage! Tighten the lag screws **A1** only until they are pulled firmly against the wall plate (**DO NOT overtighten**). **DO NOT** use a drill; only use a socket wrench.
- **DO NOT** use wall anchors **A2** for this mounting option.

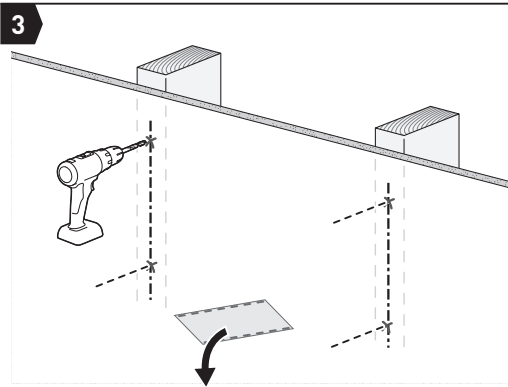


**A2**  
Wall Anchor

## Find Studs and Mark Holes



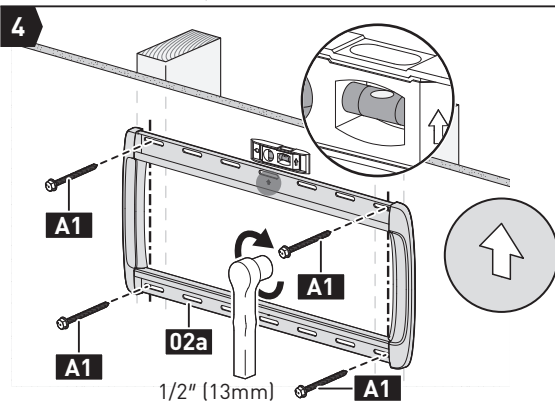
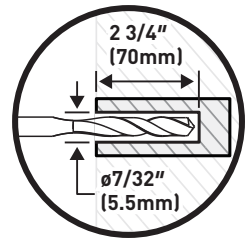
## Mark 4 Hole Positions



## Drill 4 Holes



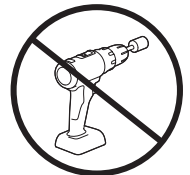
**Note:** Be sure to use the specified drill bit.



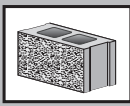
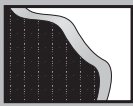
## Secure the Wall Plate



**HEAVY!** You may need assistance with this step.

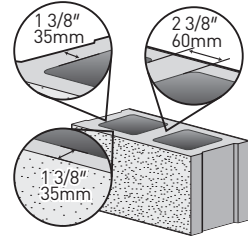
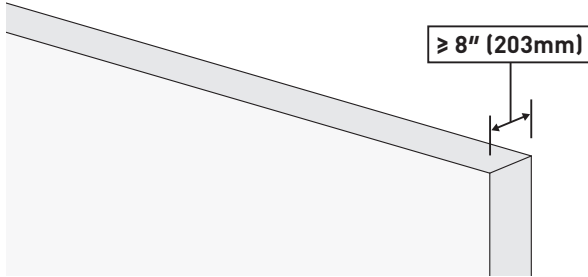


Go to Step 4 on Page 13



## Option B

For **Concrete and Concrete Block Wall Installation**



### Tools Needed (Not Included)



Electric Drill



Pencil



Tape Measure



Hammer



3/8" (10mm)  
Concrete Drill Bit



Level



1/2" (13mm)  
Socket Wrench

### **WARNING:**

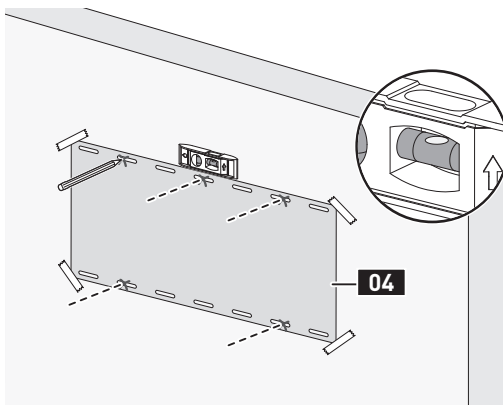
- Avoid the risk of personal injury or property damage! Tighten the lag screws **A1** only until they are pulled firmly against the wall plate (**DO NOT overtighten**). DO NOT use a drill; only use a socket wrench.
- Use wall anchors **A2** for this mounting option.
- Mount the wall plate directly on the concrete surface.
- Minimum concrete block size: 8" x 8" x 16" [203 x 203 x 406mm]



**A2**

Wall Anchor

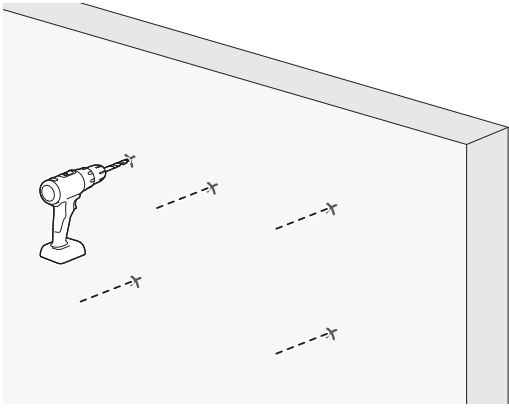
**1**



**Mark 5 Hole Positions**

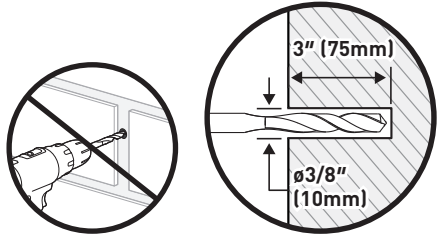
2

### Drill 5 Holes



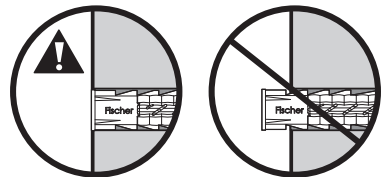
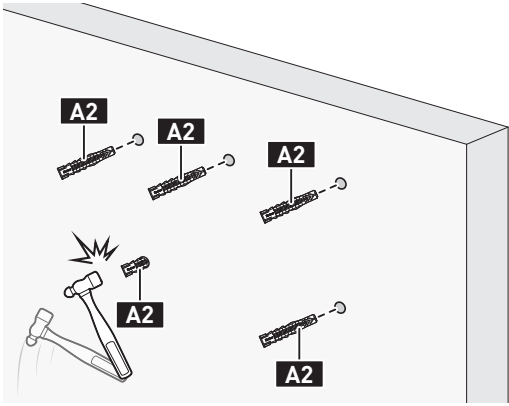
**Note:**

- Be sure to use the specified drill bit.
- Never drill into the mortar between blocks.



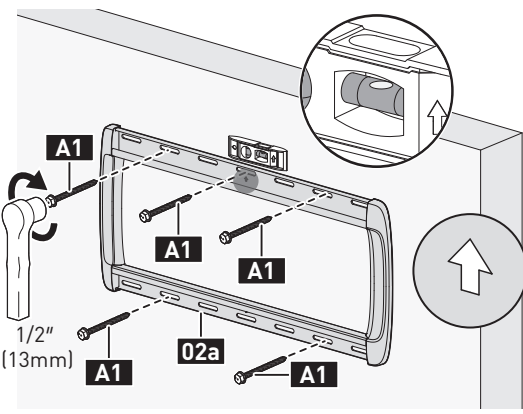
3

### Tap Wall Anchors In

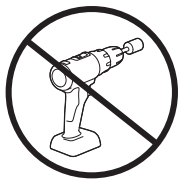


4

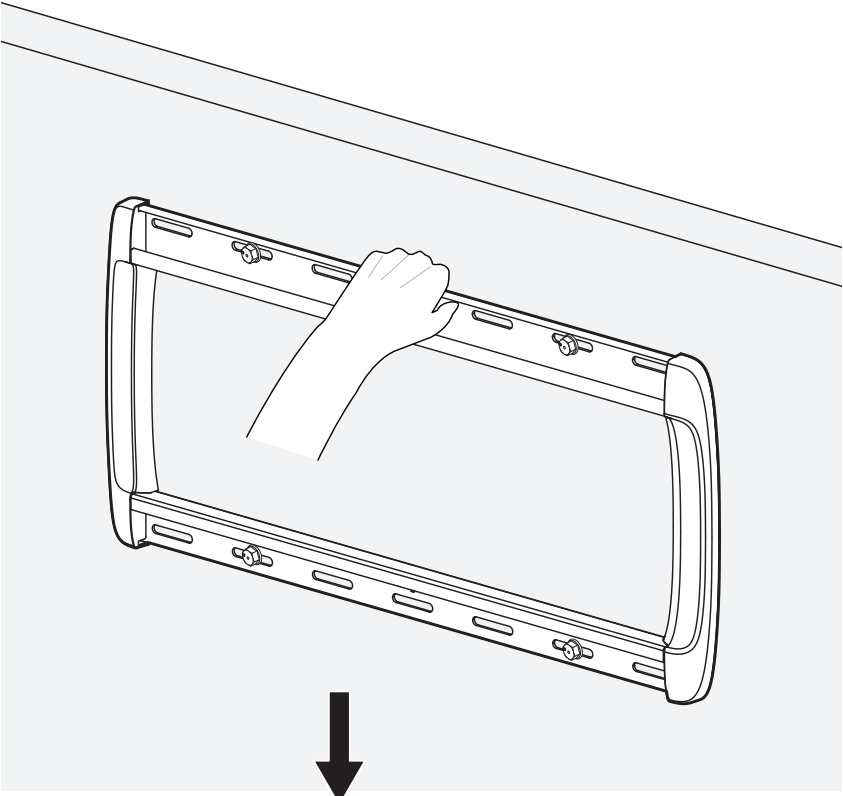
### Secure the Wall Plate



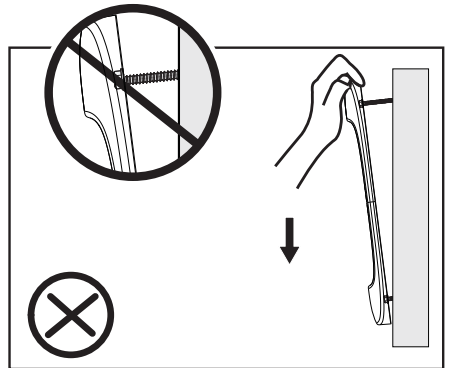
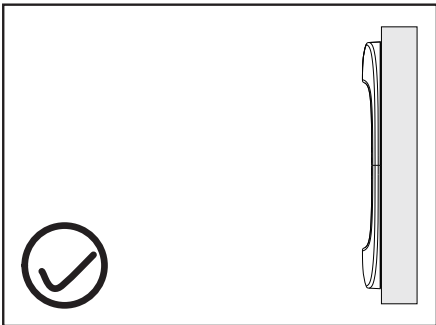
**HEAVY!** You may need assistance with this step.



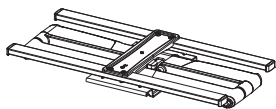
**STEP 4** Verify Wall Plate is Firmly Mounted



**Pull Down**



## Supplied Parts and Hardware for Step 5



Arm assembly

**02b** x 1

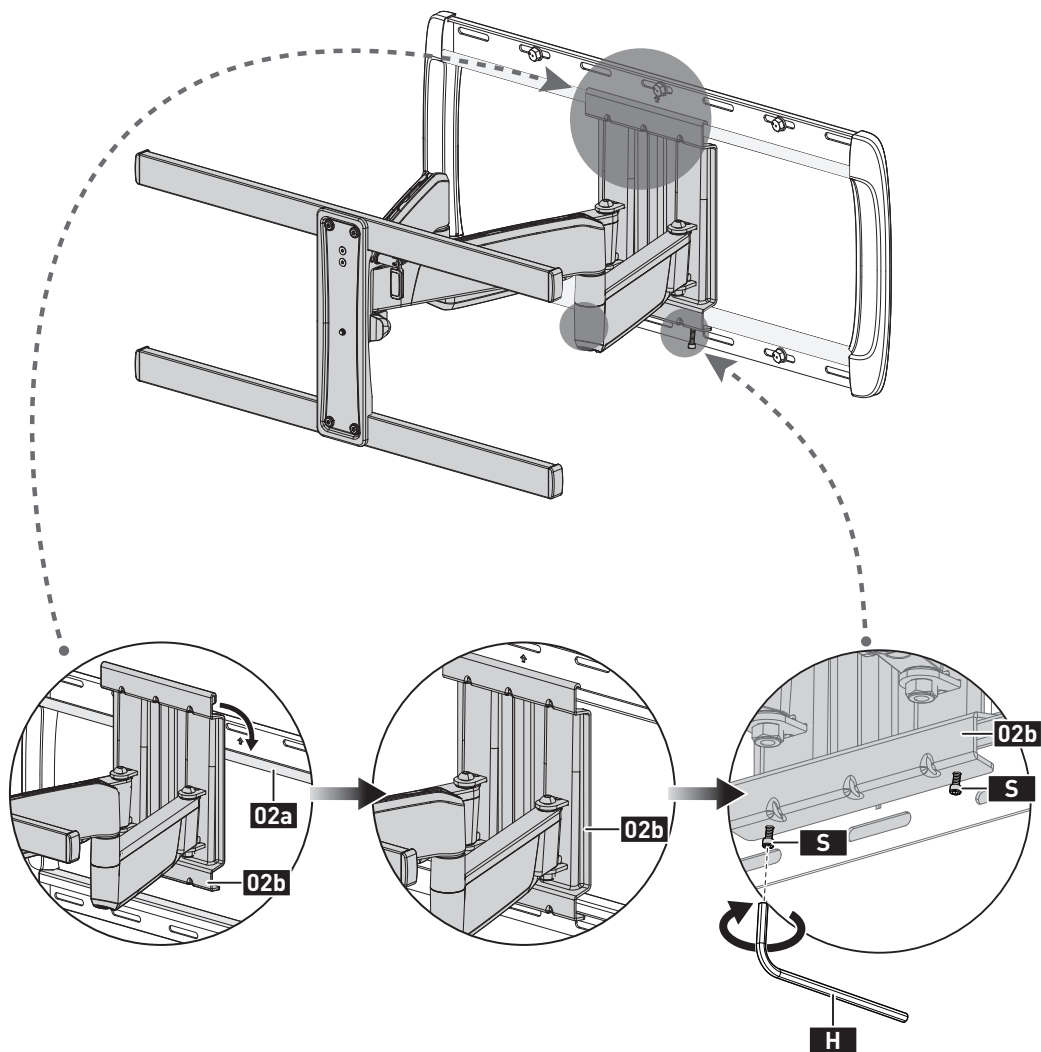


3/16" (5mm)

Allen Key

**H** x 1

### STEP 5 Attach the Arm Assembly to the Wall Plate



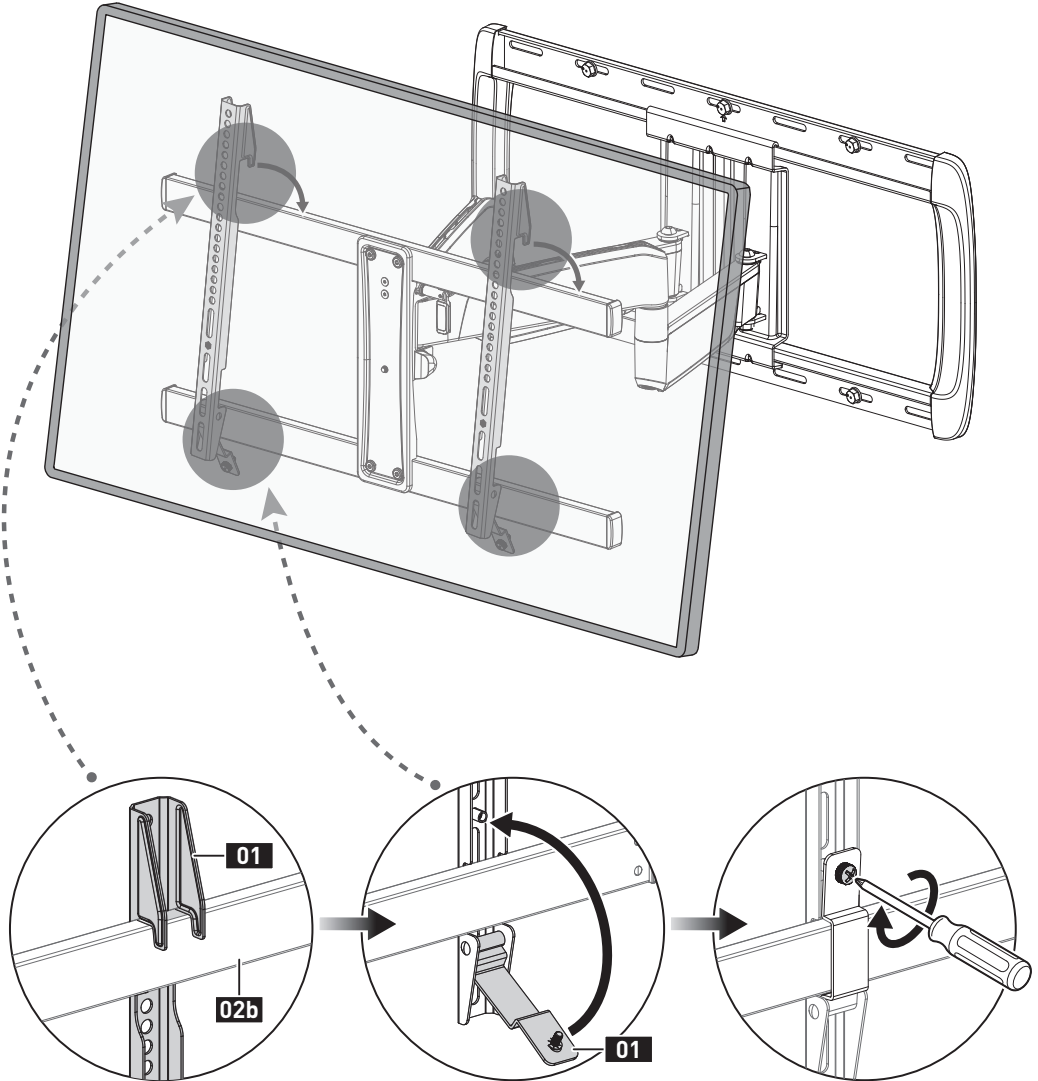
## STEP 6 Hang the TV on the Front Support



**HEAVY!** You may need assistance with this step.

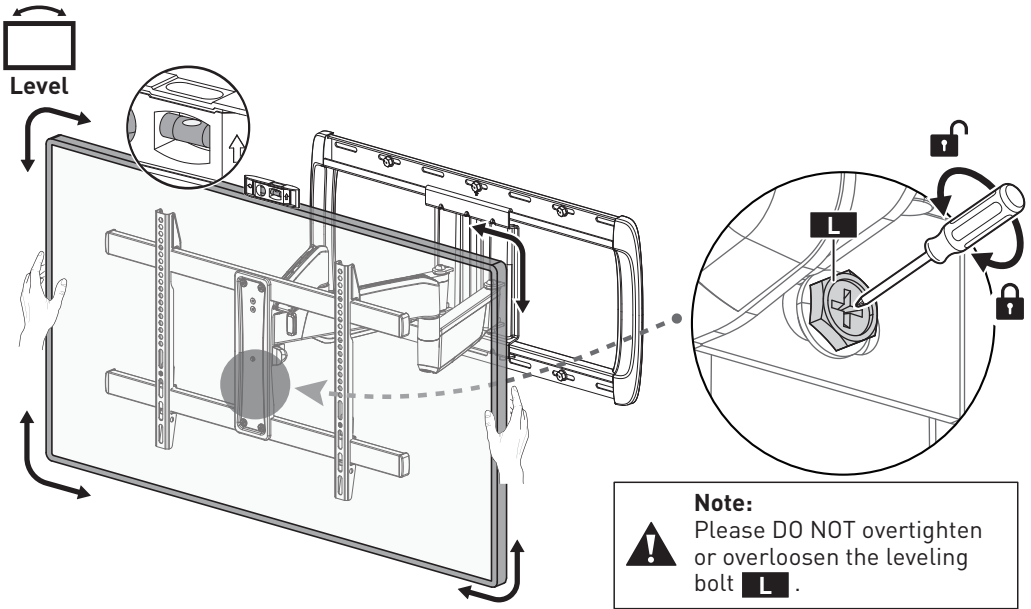


**Note:** Flip the safety locks down on the TV brackets before hanging the TV.



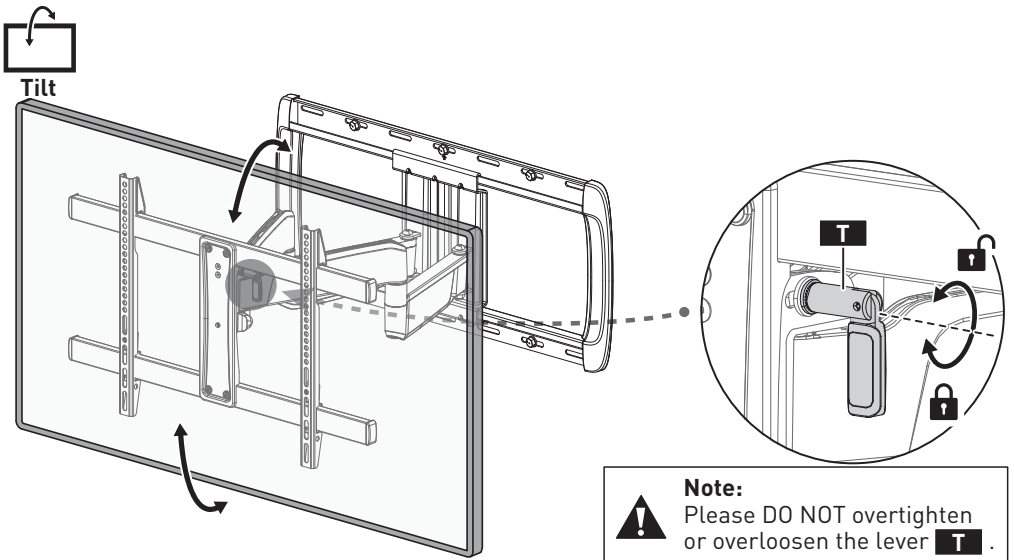


## STEP 7 Level Adjustment



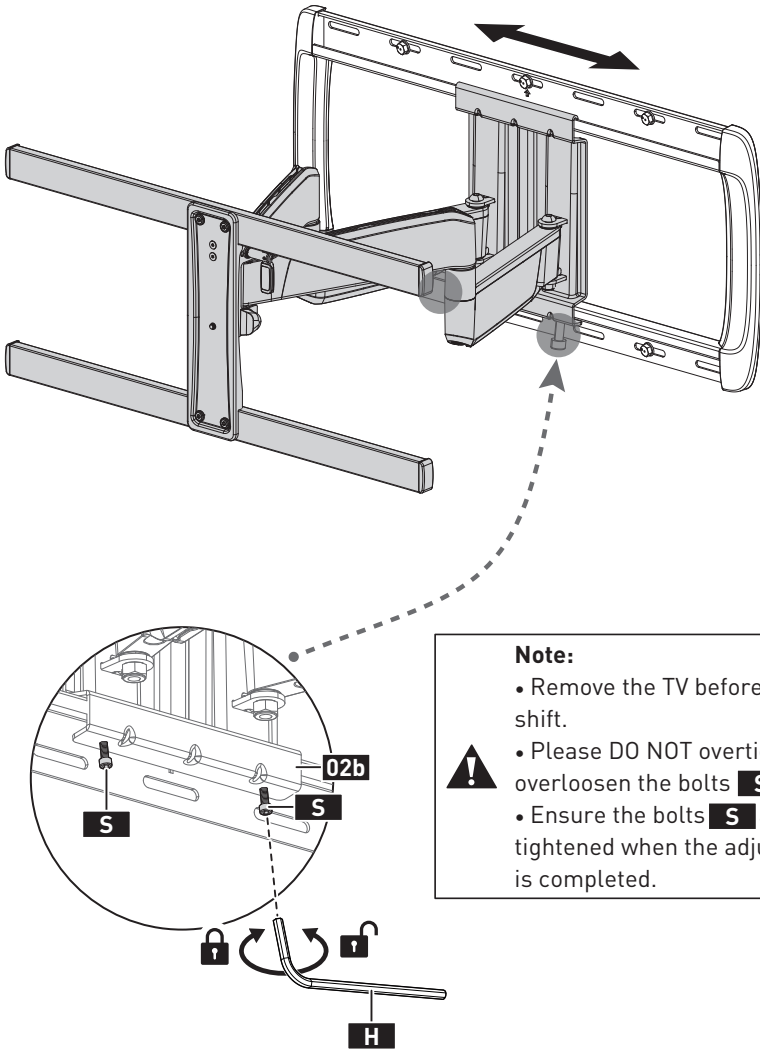
Level your TV using a level. If it is difficult to level your TV, slightly loosen the leveling bolt **L**, then level your TV. Retighten the leveling bolt **L** to hold the TV in position.

## STEP 8 Tilt Adjustment



Slightly loosen the lever **T**. Tilt the TV to the desired angle. Retighten the lever **T** to hold the TV in position.

## STEP 9 Lateral Shift

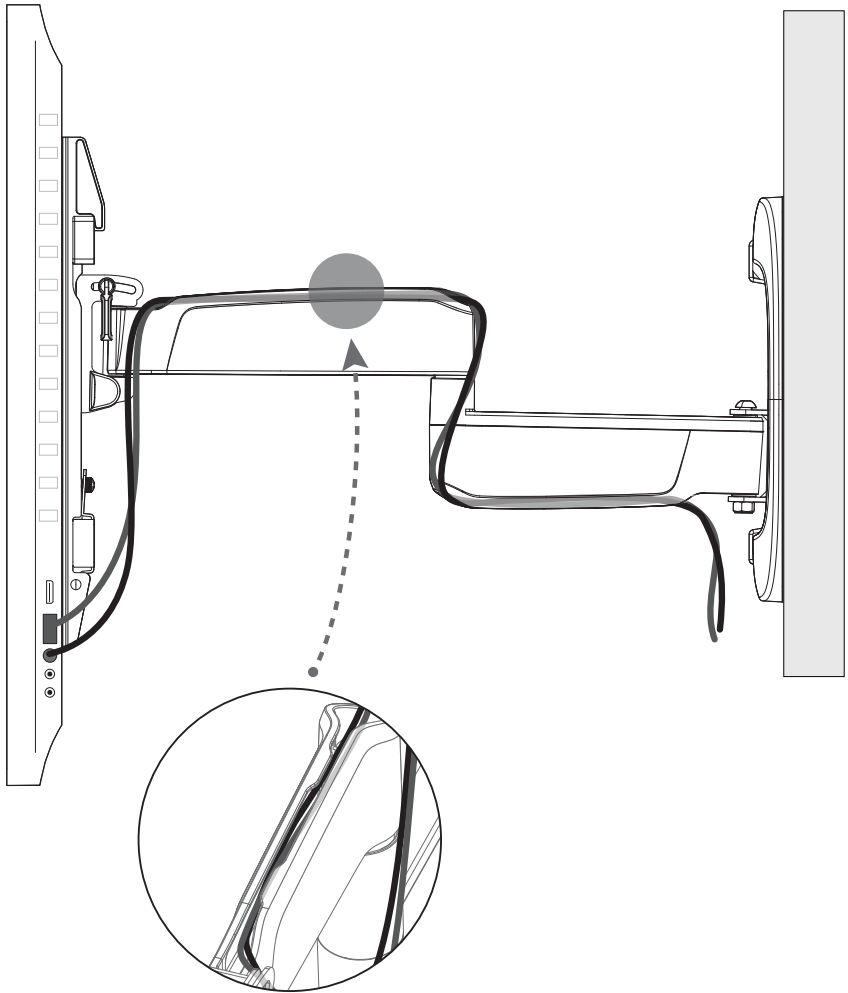


### Note:

- Remove the TV before lateral shift.
- Please **DO NOT** overtighten or overloosen the bolts **S**.
- Ensure the bolts **S** are fully tightened when the adjustment is completed.

Slightly loosen the bolts **S**. Move the arm assembly to the desired position. Retighten the bolts **S** to hold the arm assembly in position.

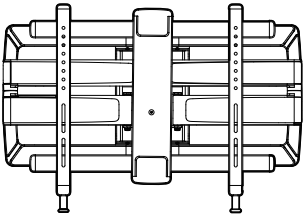
**STEP 10** Cable Management



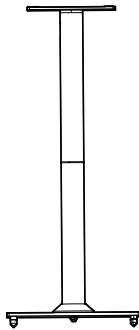


# ERGOAV™

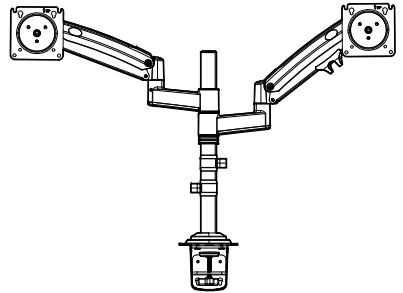
At ErgoAV, our goal is to provide the high-quality audio video solutions and product support that you need. If you have any questions, concerns, or feedback, please let us know!



**TV Mounts**



**Speaker Stands**



**Computer Monitor Mounts**



**ErgoAV**



**9501 Louisiana Ave N, #200, Brooklyn Park, MN 55445**



**(877) 419-7832 Mon-Fri 8am - 8pm (CST)**



**support@ergoav.com**



**www.ergoav.com**