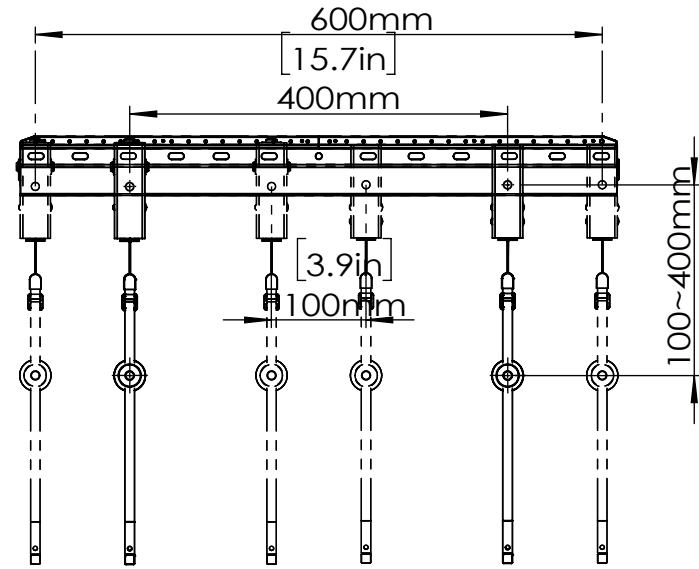


### TV INTERFACE



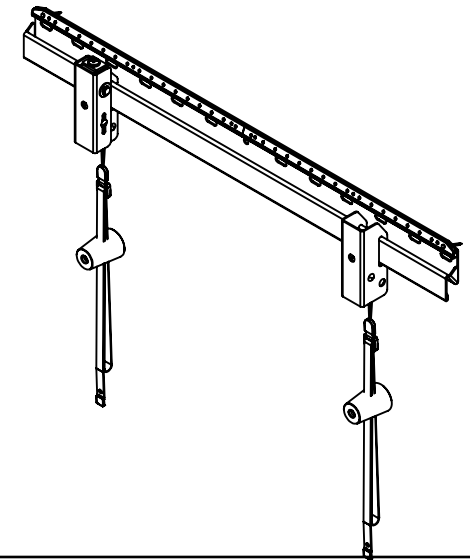
**800-01811**

**REV00**

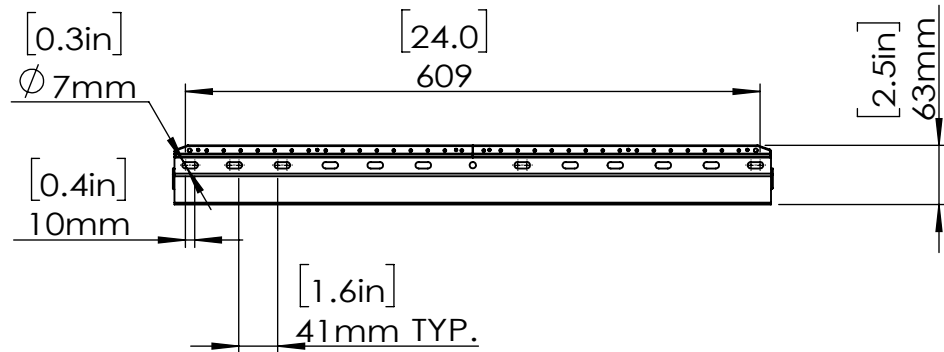
Model Number	ERMLL1
Maximum TV Weight	135 lbs(wood stud,concrete) 100 lbs (drywall)
TV Size Range	32" - 90"
Net Weight	1.45KG
Gross Weight	2.0KG
Product Dimension	25.0" x 4.4" x 1.7"

THE INFORMATION CONTAINED IN THIS DRAWING IS THE CONFIDENTIAL AND PROPERTY OF SHENZHEN BESTQI INNOVATION TECHNOLOGY CO.,LTD. ANY REPRODUCTION OR DISCLOSED WITHOUT THE WRITTEN PERMISSION OF BSQ IS PROHIBITED.

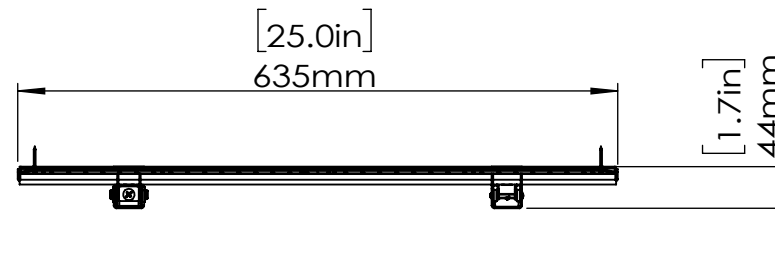
### 3-D View



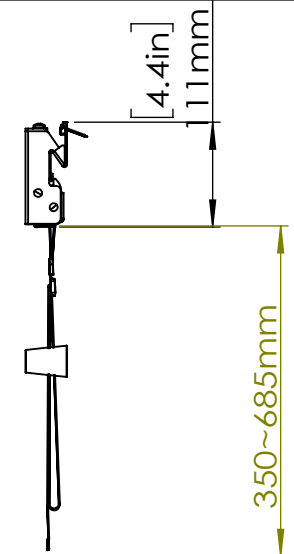
### WALL PLATE



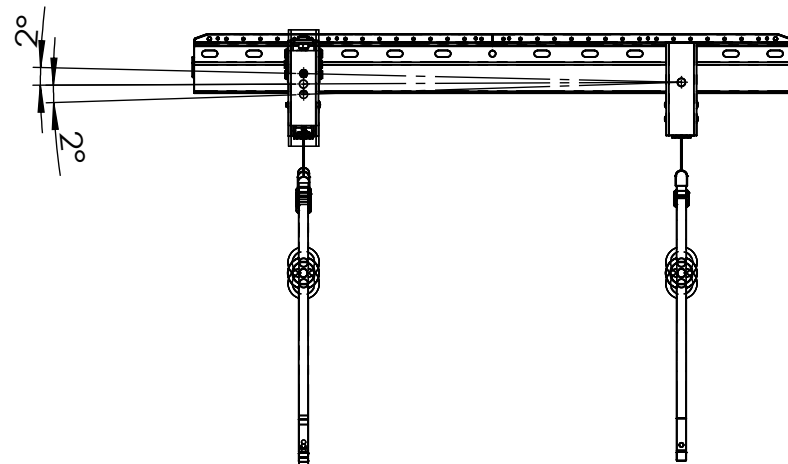
### TOP VIEW



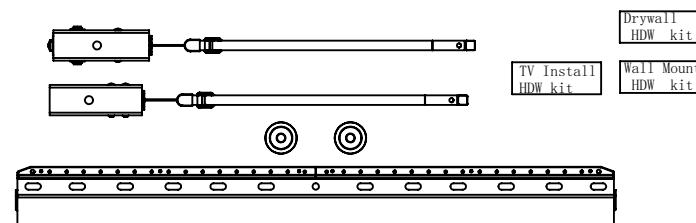
### SIDE VIEW



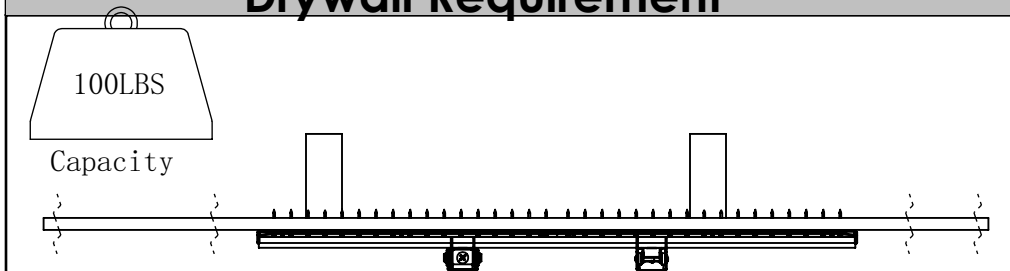
### AdjustmentLevel



### Ship With



### Drywall Requirement



- 1 ) TV MUST be centered on the wall plate
- 2 ) Don't shift the TV side-to-side.
- 3 ) 34 pcs steel nails are required.

### Adjust Buckle

DETAIL D  
SCALE 2 : 1



**800-01811**

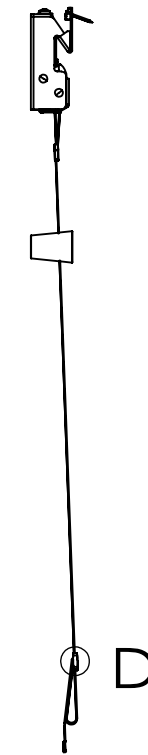
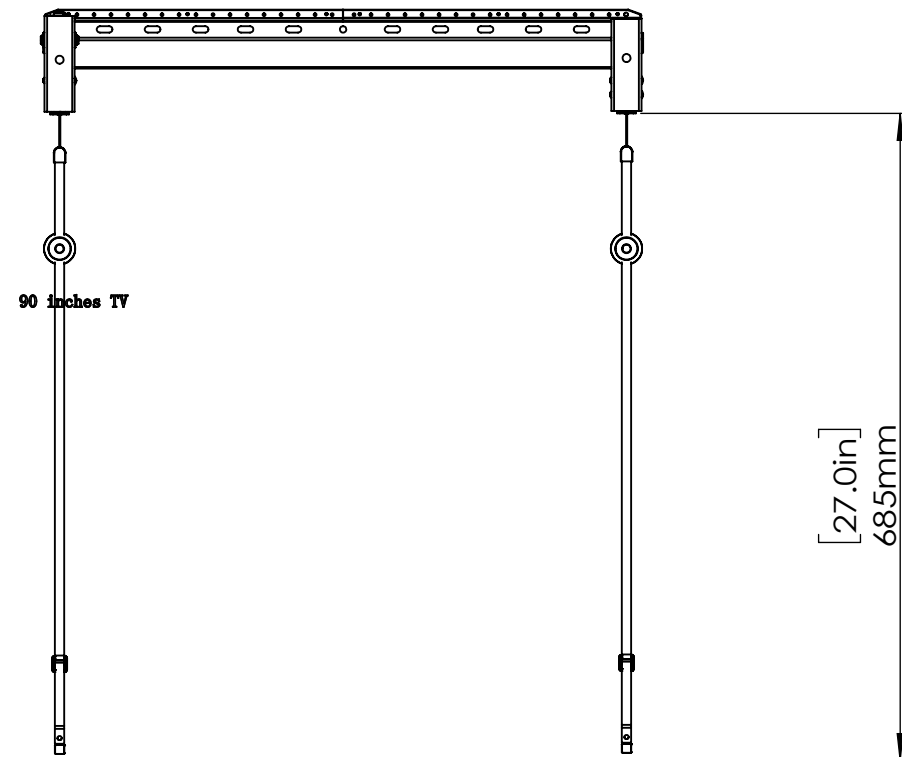
**REV00**

Model Number	ERMLL1
Maximum TV Weight	135 lbs(wood stud,concrete) 100 lbs (drywall)
TV Size Range	32"-90"
Net Weight	1.45KG
Gross Weight	2.0KG
Product Dimension	25.0" x 4.4" x 1.7"

THE INFORMATION CONTAINED IN THIS DRAWING IS THE CONFIDENTIAL AND PROPERTY OF SHENZHEN BESTQI INNOVATION TECHNOLOGY CO.,LTD. ANY REPRODUCTION OR DISCLOSED WITHOUT THE WRITTEN PERMISSION OF BSQ IS PROHIBITED.

### 3-D View

### 90in TV installation



### 32 in TV installation

