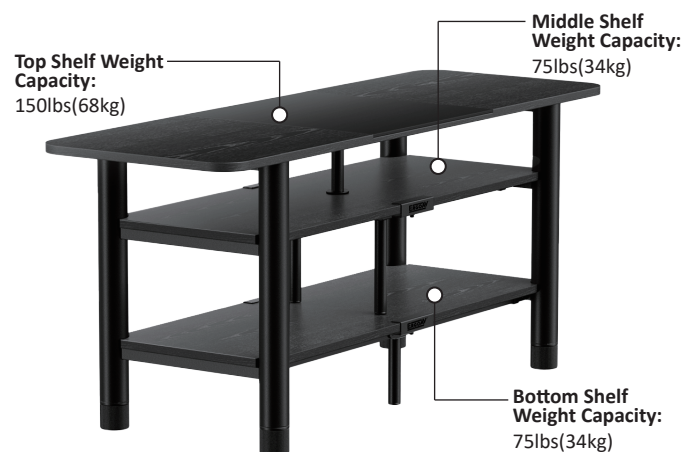




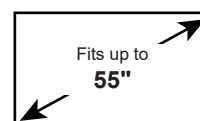
The ERTFS1-01B is 46" wide with a sturdy yet flexible frame to accommodate TVs up to 55". FlexFold™ has the frame pre-assembled, so you don't have to. The pre-assembled frame allows for a less than 20-minute install. The black wood grain finish compliments today's TVs and components. The FlexFold™ furniture features strong MDF shelves, including a frosted tempered glass insert on the top shelf. Adjustable feet allow for the furniture to be leveled after assembly even if your floors aren't perfect.

Features

- Flexible frame to accommodate TVs up to 55" with a total weight rating of 300 lbs.
- The FlexFold™ Furniture features quick and easy assembly in less than 20 minutes.
- Black wood grain finish compliments today's TVs and components.
- The FlexFold™ furniture features strong MDF shelves, including a frosted tempered glass insert on the top shelf.
- Adjustable feet allows the furniture to be leveled after assembly to help level your furniture piece.



Compatibility



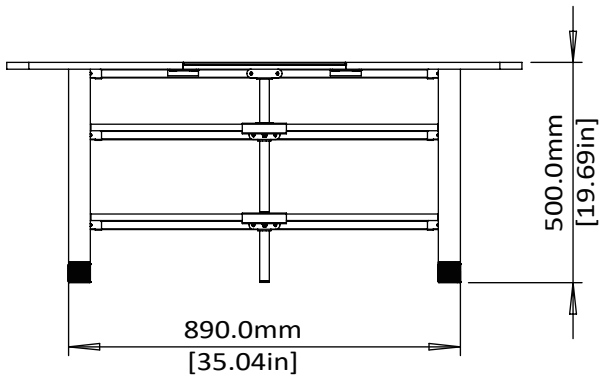
| | | | |
|---------------------|-------------------|------------------|---------------|
| Model Number | ERTFS1-01B | WARRANTY: | 5-Year |
|---------------------|-------------------|------------------|---------------|

| Product Specifications | DIMENSIONS (W x H x D) | PRODUCT WEIGHT | LOAD CAPACITY | MATERIAL | AVAILABLE COLORS |
|-------------------------------|------------------------|----------------|---------------|----------|------------------|
| | 46.1" x 19.7" x 15.7" | 47.4 lbs. | 300 lbs. | MDF | Black |
| | 1170mm x 500mm x 400mm | 21.5 KG | 136 KG | | |

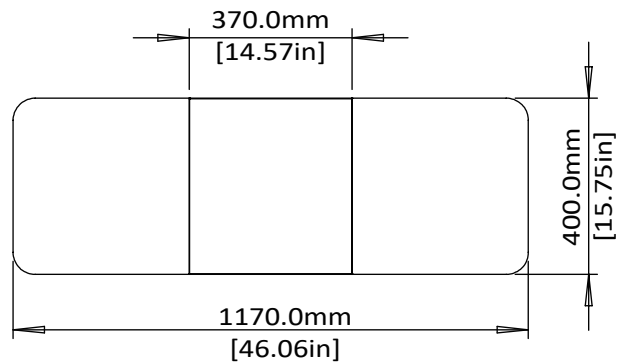
| Package Specifications | PACKAGE SIZE (W x H x D) | PACKAGE WEIGHT | PACKAGE UPC CODE | PACKAGE CONTENTS | UNITS IN PACKAGE |
|-------------------------------|--------------------------|----------------|------------------|------------------------|------------------|
| | 50.4" x 10.0" x 22.0" | 51.6 lbs. | 810082201345 | Product, Manual, Parts | 1 Unit |
| | 1280mm x 255mm x 560mm | 23.4 KG | | | |

| Master Carton Specifications | PACKAGE SIZE (W x H x D) | PACKAGE WEIGHT | UNITS IN CARTON | |
|-------------------------------------|--------------------------|----------------|-----------------|--|
| | 50.4" x 10.0" x 22.0" | 51.6 lbs. | | |
| | 1280mm x 255mm x 560mm | 23.4 KG | | |

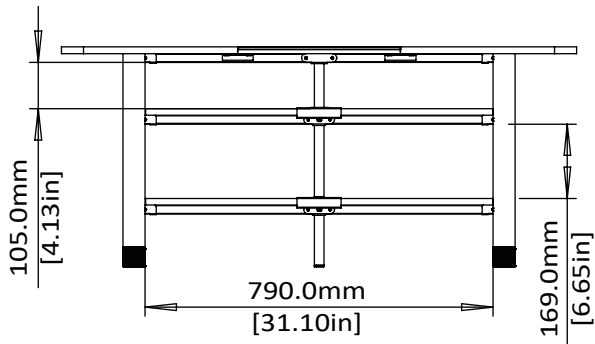
Product Dimensions



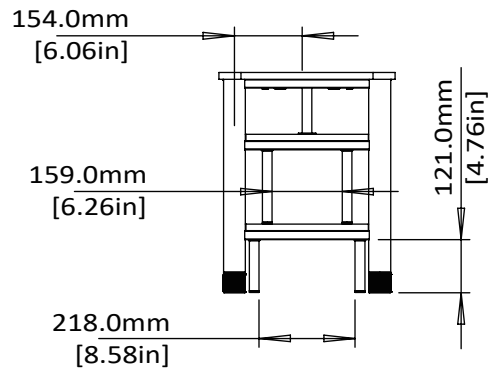
FRONT VIEW



TOP VIEW



BACK VIEW



SIDE VIEW