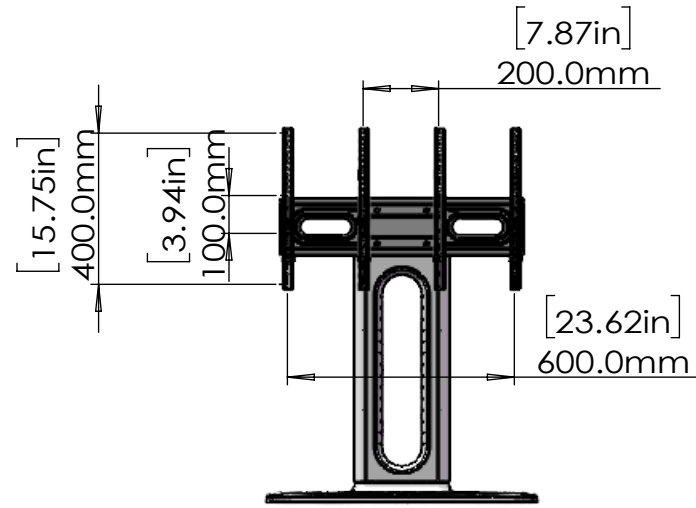


TV INTERFACE



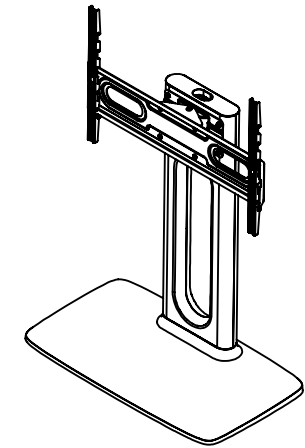
800-01731-XX

REV00

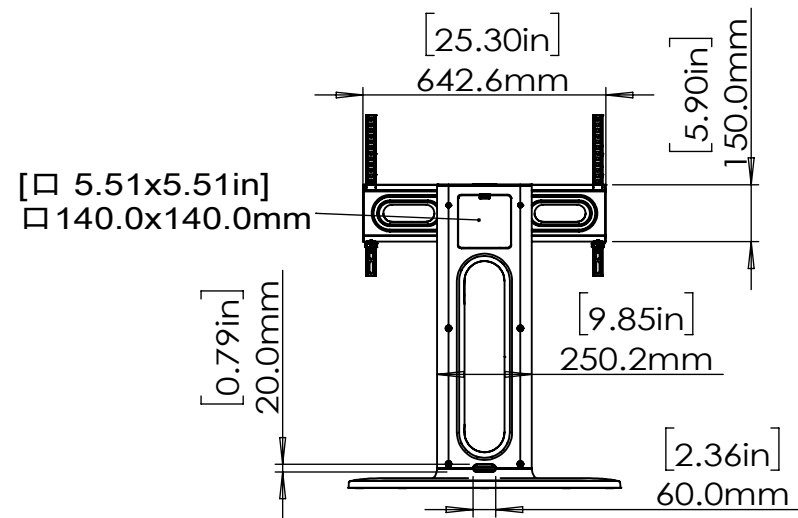
Model Number	ERTSX2-01
Maximum TV Weight	150 LBS
TV Size Range	46-86"
Net Weight	26.0 LBS

THE INFORMATION CONTAINED IN THIS DRAWING IS THE CONFIDENTIAL AND PROPERTY OF SHENZHEN BESTQI INNOVATION TECHNOLOGY CO.,LTD. ANY REPRODUCTION OR DISCLOSED WITHOUT THE WRITTEN PERMISSION OF BESTQI IS PROHIBITED.

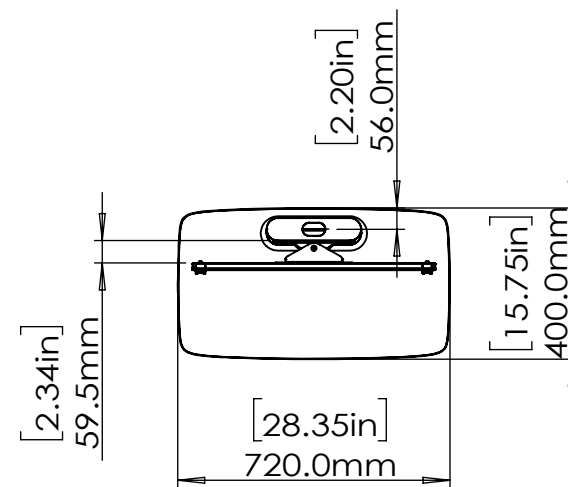
3-D View



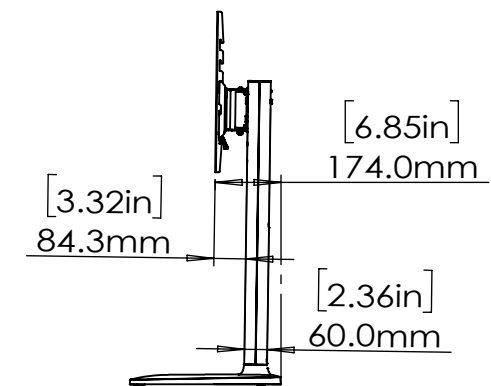
FRONT VIEW



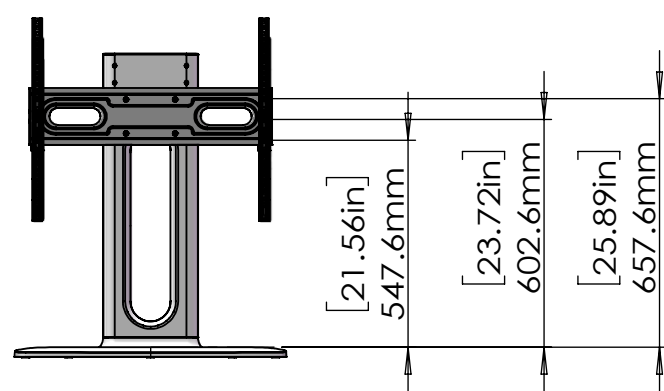
TOP VIEW



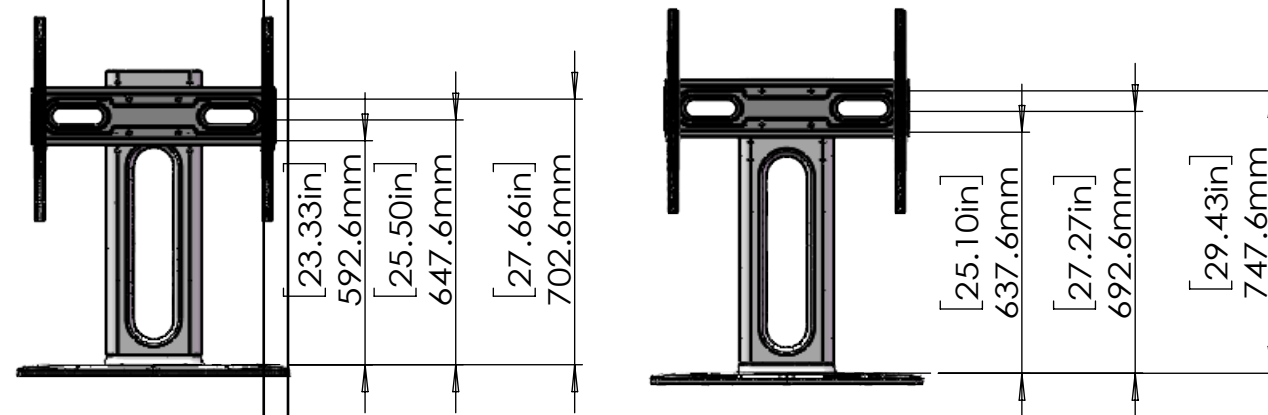
SIDE VIEW



Height Adjustments – TV Mounting Plate



Height Adjustments TV Brackets



TOP VIEW SWIVEL

