



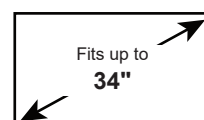
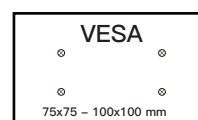
The ERDHM2-01B is a dual monitor desk mount with built-in hub for monitors up to 34" and 25 lbs. Inputs include two USB-C, two USB-A, two HDMI ports, one ethernet port, and one 3.5mm AUX. Supports up to 60W USB-C charging for laptops, phones and tablets. Stream media up to 4k resolution via HDMI. Built-in cable management helps to create a streamlined look. Enhance your workspace with a sense of technology that complements today's sleek monitor designs.

Features

- Fits monitors up to 34" and 25 lbs.
- Inputs include two USB-C, two USB-A, two HDMI ports, one ethernet port, and one 3.5mm AUX.
- Supports up to 60W USB-C charging for laptops, phones and tablets.
- Stream media to dual monitors up to 4k resolution via HDMI.
- Transfer files at up to 5 Gbps with USB-C power delivery and USB-A 3.0 ports.
- Built-in cable management helps to create a streamlined look.
- Enhance your workspace with a sense of technology that complements today's sleek monitors.



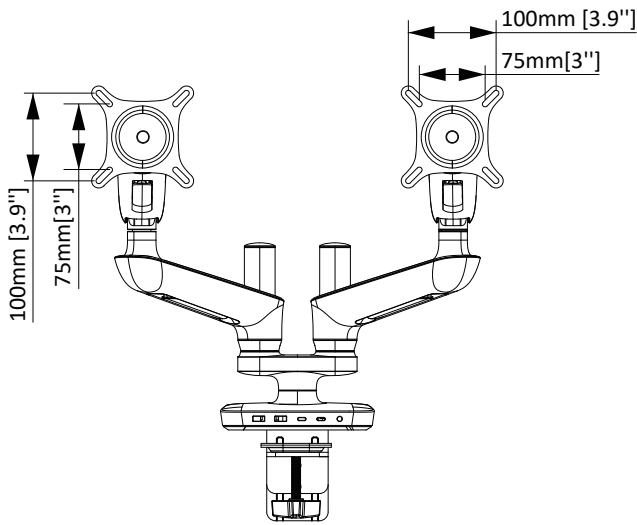
Monitor Compatibility



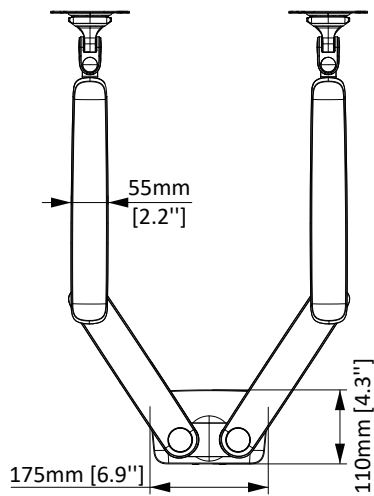
Model Number ERDHM2-01B **WARRANTY:** 5-Year

Product Specifications	DIMENSIONS (W x H x D)	PRODUCT WEIGHT	LOAD CAPACITY	FINISH	AVAILABLE COLORS
	53.1" x 22.4" x 4.3"	13.5 lbs.	25 lbs.	Powder Coating	Black
1350mm x 570mm x 110mm	6.11 KG	11.3 KG			

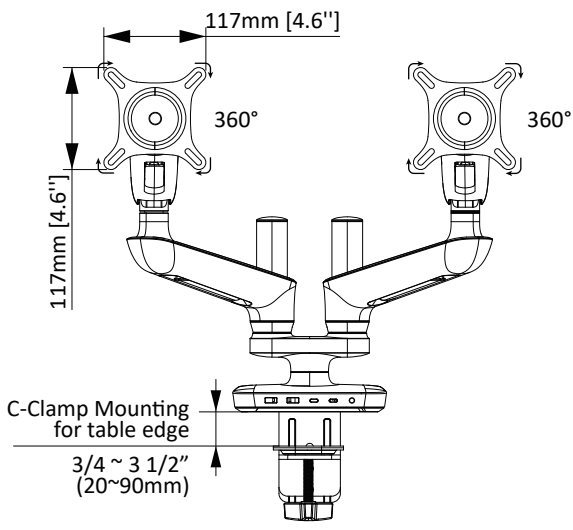
Product Dimensions



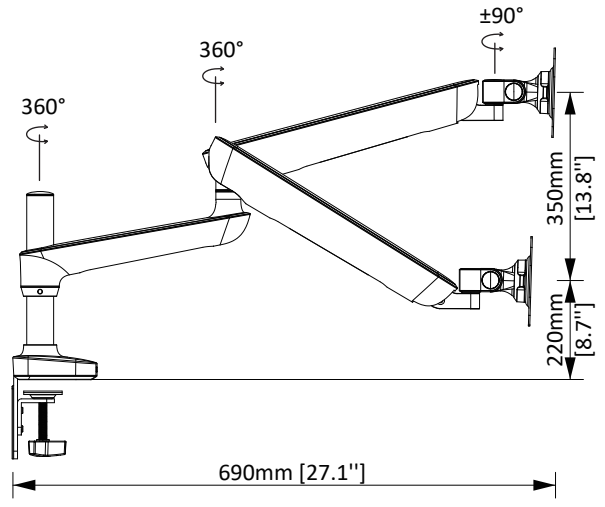
MONITOR INTERFACE



TOP VIEW



FRONT VIEW



SIDE VIEW