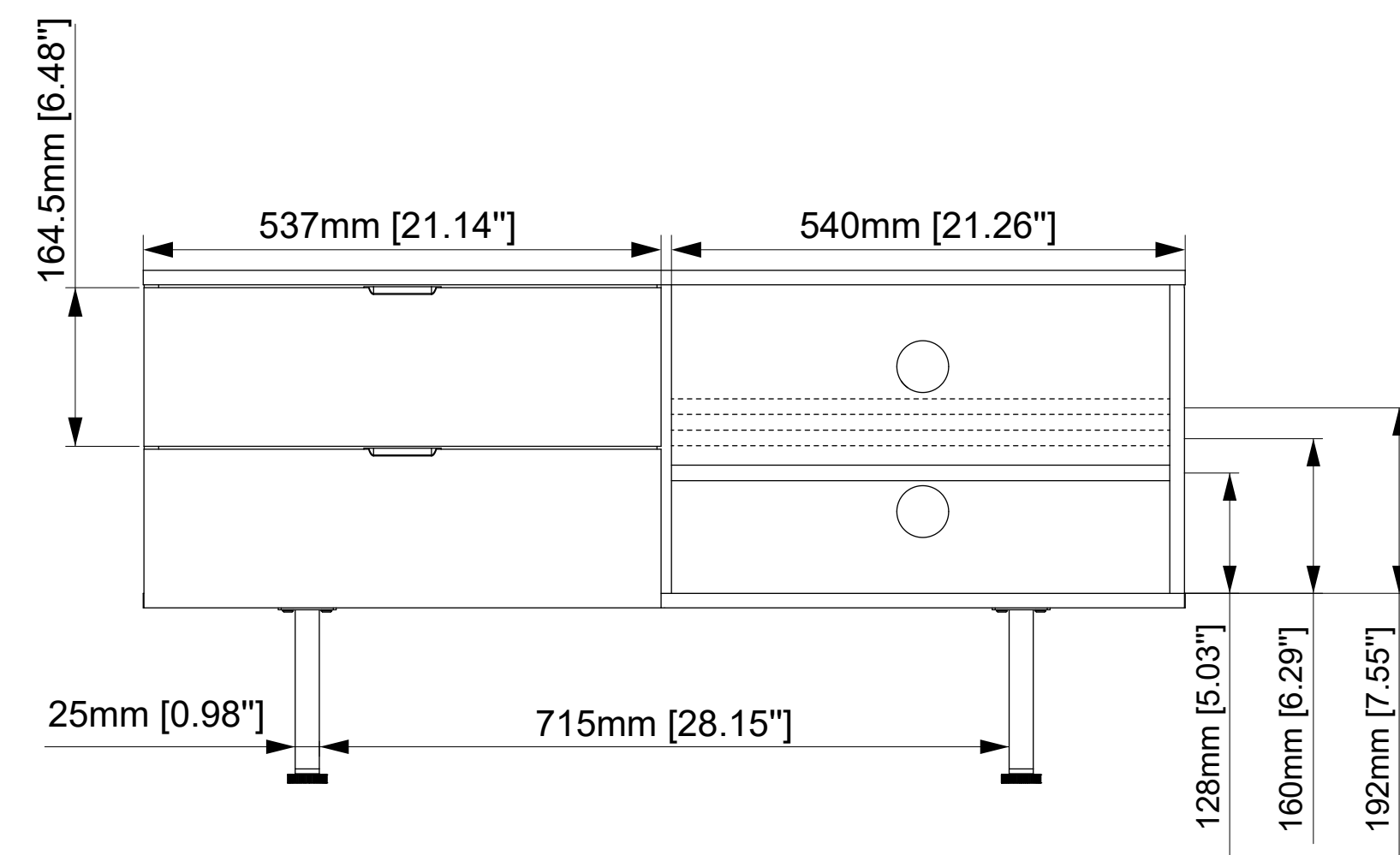


### FRONT VIEW

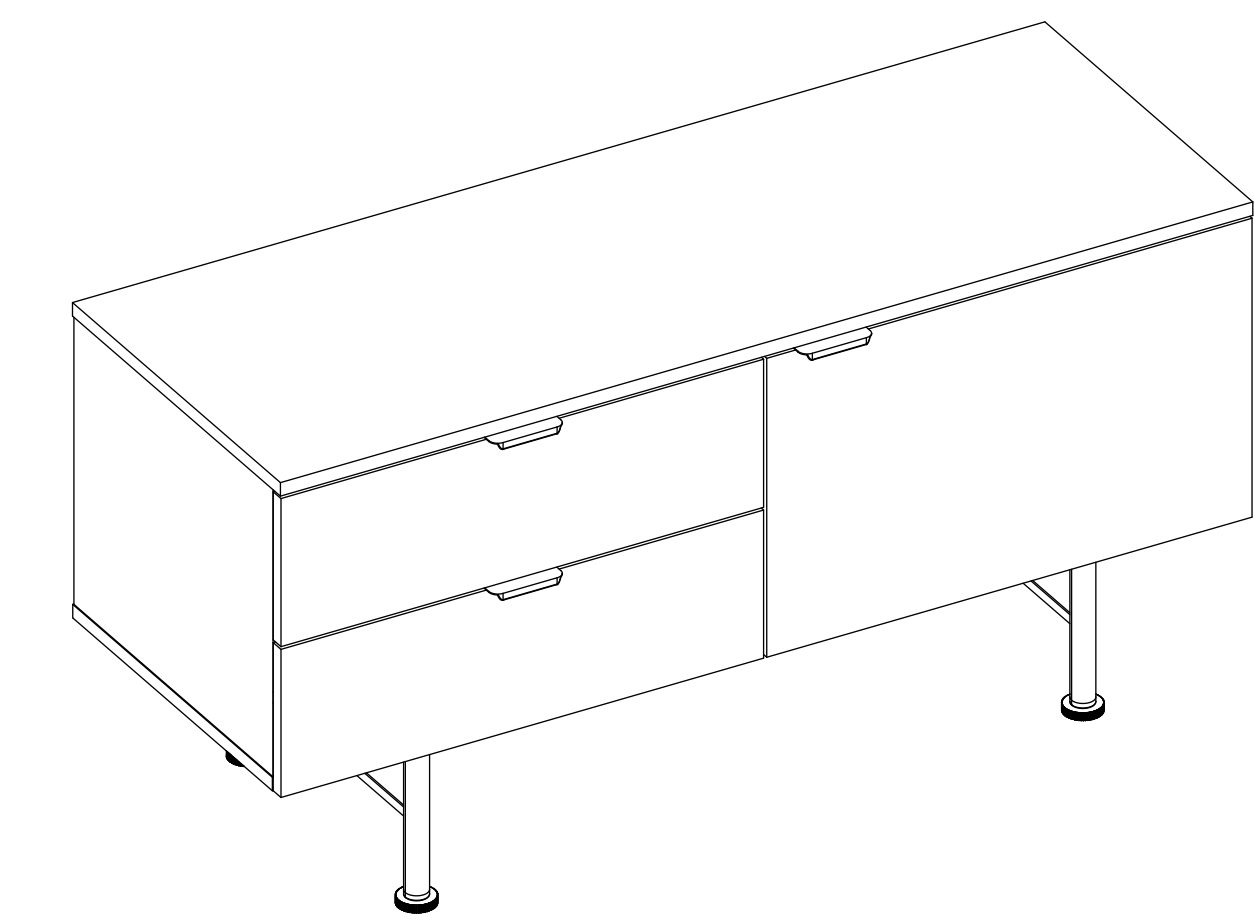


# ERGOAV™

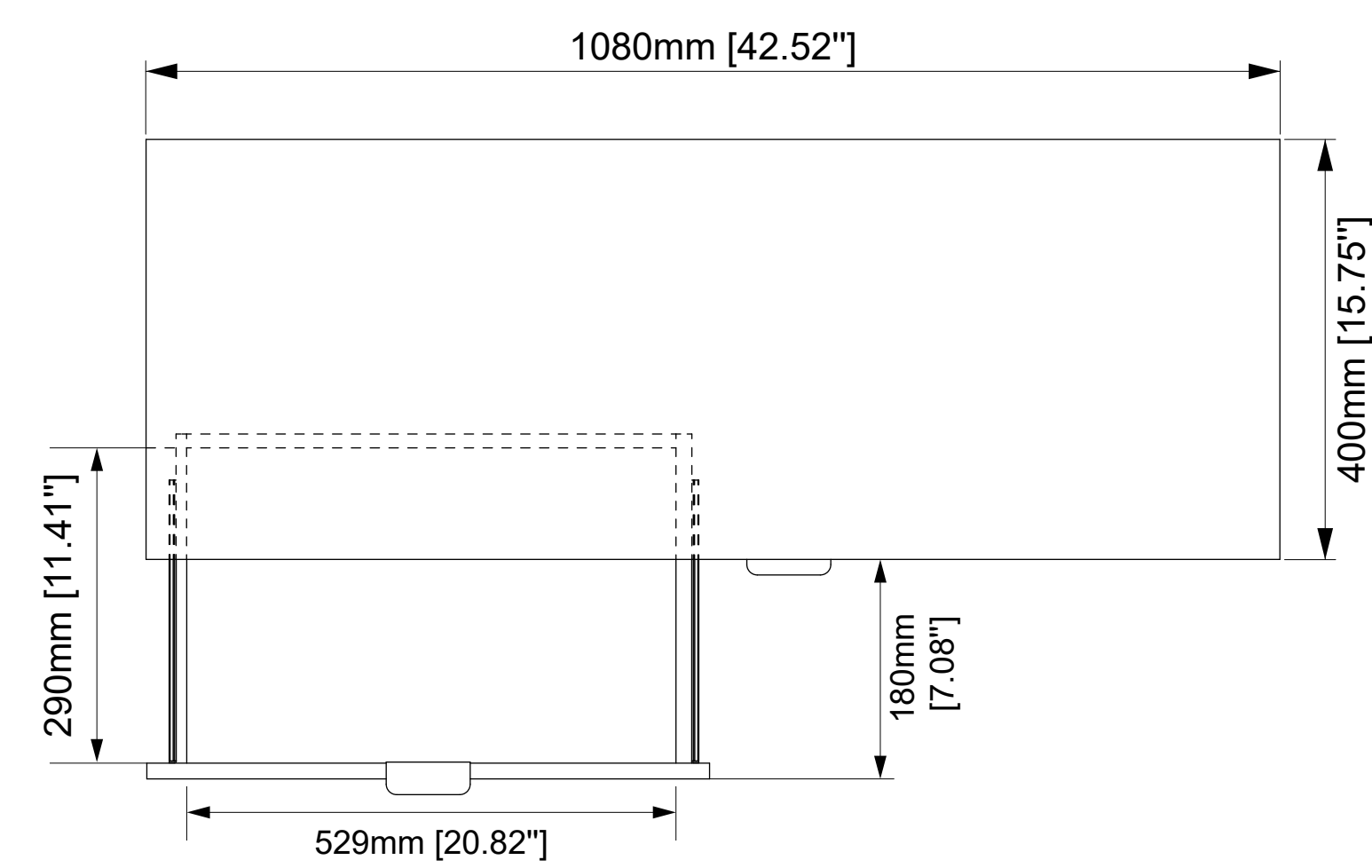
## ERFFS5-01XX Small Enclosed Cabinet

The information and designs contained in this document are confidential and the proprietary property of BESTERGO, Inc neither the design nor any information contained in this drawing may be reproduced, used, or disclosed to others without the express written permission of BESTERGO, Inc.

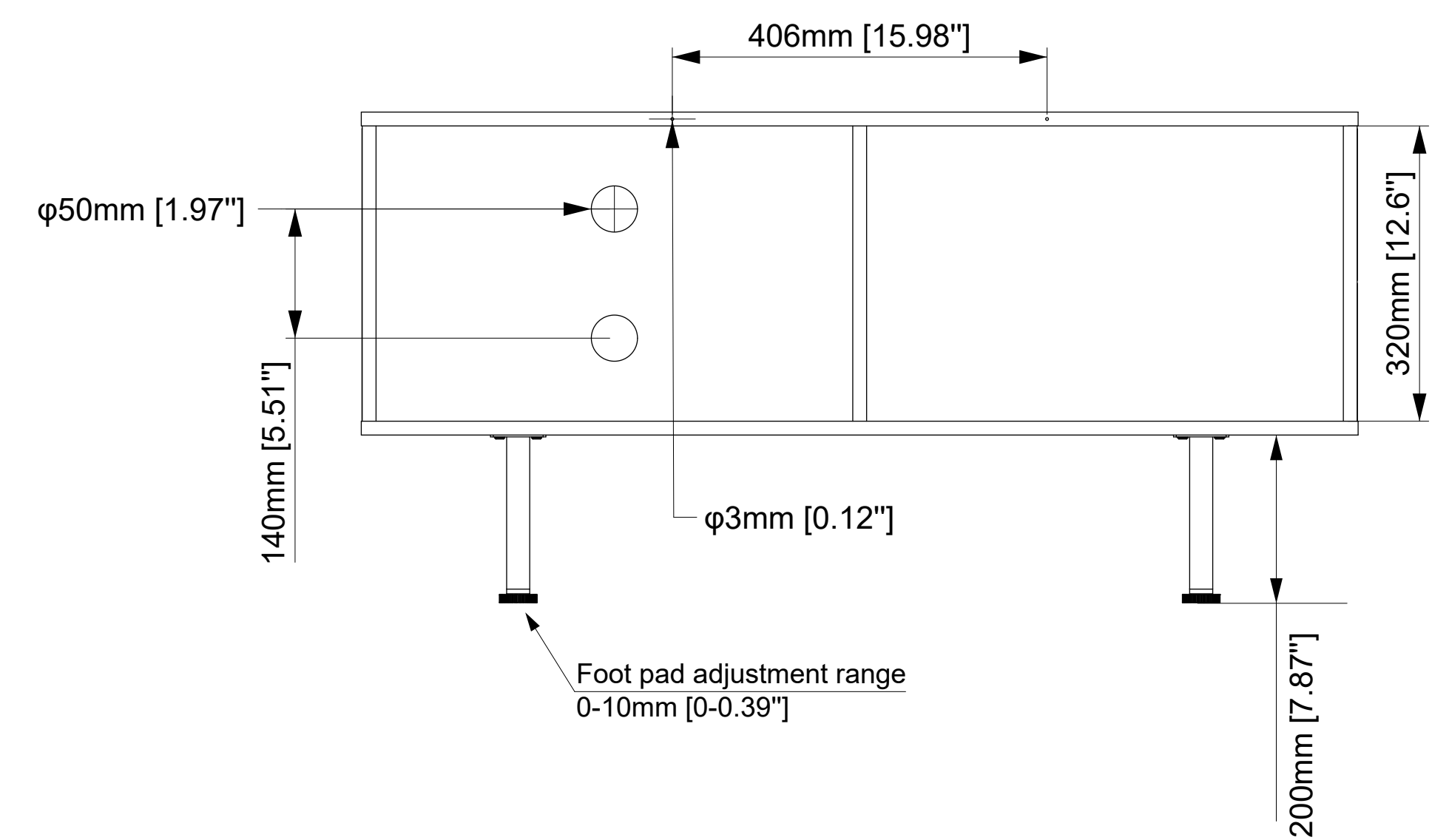
### 3-D View



### TOP VIEW



### REAR VIEW



### SIDE VIEW

