



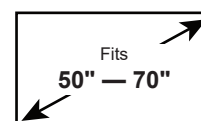
The ERFFL4-01BB is a 63" wide, well crafted cabinet with a durable finish that can accommodate 50"-70" TVs. The side cabinets feature slow close doors to conceal your equipment while providing easy access. The adjustable shelves are designed to accommodate a variety of components. The center slow close media drawers provide additional storage flexibility. The drawers are ideal for remote controls, game controllers, media, and more. The stylish feet conceal levelers to create a seamless look while also providing stability. The Black wood grain finish compliments today's TVs and components.

Features

- Well crafted cabinet with a durable finish provides a strong foundation to hold 50"-70" TVs and 150 lbs weight capacity for a variety of components.
- Side cabinet features an adjustable shelf and slow close door to conceal your equipment while providing easy access.
- Center slow close media drawers provide additional storage flexibility. Ideal for remote controls, game controllers, media, and more.
- Stylish feet conceal levelers to create a seamless look while providing stability.
- Black wood grain finish compliments today's TVs and components.



Compatibility



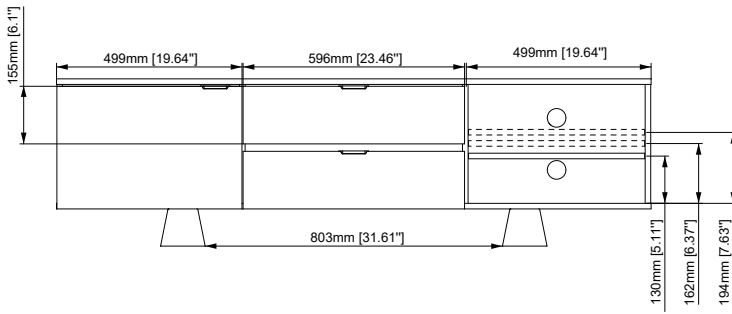
Model Number	ERFFL4-01BB	WARRANTY:	5-Year
---------------------	--------------------	------------------	---------------

Product Specifications	DIMENSIONS (W x H x D)	PRODUCT WEIGHT	LOAD CAPACITY	MATERIAL	AVAILABLE COLORS
	62.99" x 17.71" x 15.75"	79.3 lbs.	150 lbs.	Low Density Fiber Board	Black
	1600mm x 450mm x 400mm	36 KG	68 KG		

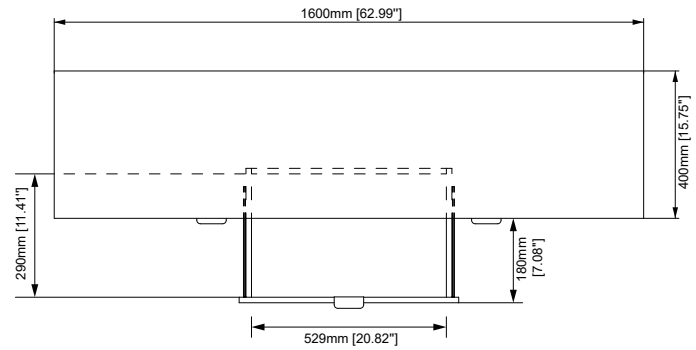
Package Specifications	PACKAGE SIZE (W x H x D)	PACKAGE WEIGHT	PACKAGE UPC CODE	PACKAGE CONTENTS	UNITS IN PACKAGE
	66.77" x 7.48" x 18.58"	94.5 lbs.	810082200355	Product, Manual, Parts	1 Unit
	1696mm x 190mm x 472mm	42.9 KG			

Master Carton Specifications	PACKAGE SIZE (W x H x D)	PACKAGE WEIGHT			UNITS IN CARTON
	66.77" x 7.48" x 18.58"	94.5 lbs.			1 Unit
	1696mm x 190mm x 472mm	42.9 KG			

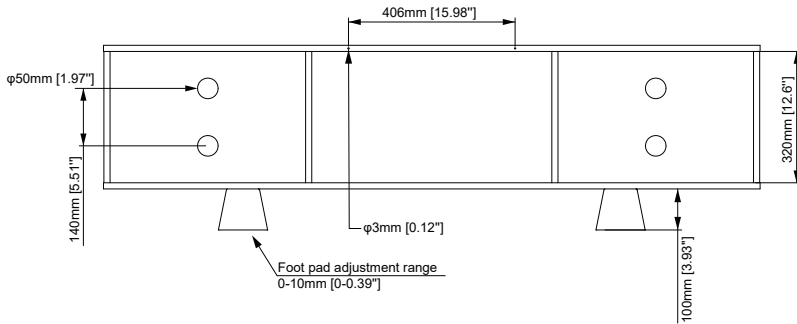
Product Dimensions



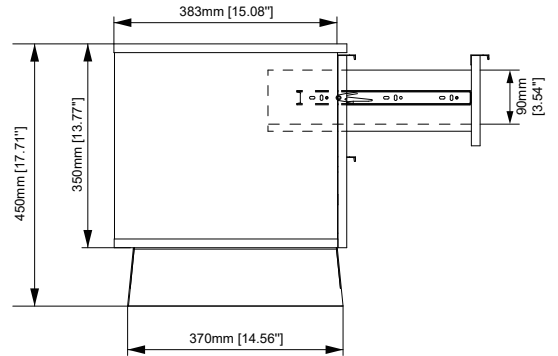
FRONT VIEW



TOP VIEW



BACK VIEW



SIDE VIEW