



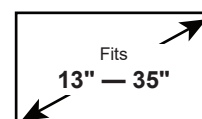
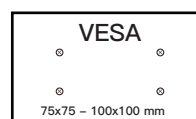
The ERDGM3-01B is a dual monitor Desk Mount for Monitors 13-35" weighing between 4.4 and 26 lbs. The gas spring arm provides easy height adjustment - simply move the monitors where you want them, no tools required! Height, swivel, and tilt adjustments allow the monitors to be placed at the optimal position. Versatile mounting options; includes desk clamp or grommet mount accommodates a variety of desk types. Built in cable management allows cables to be neatly organized creating a clean look.

### Features

- Universal compatibility - fits most monitors 13-35" weighing between 4.4 and 26 lbs with VESA 75 x 75 or VESA 100 x 100 hole patterns.
- The gas spring arm provides easy height adjustment - simply move the monitors where you want them, no tools required!
- Height, swivel, and tilt adjustments allow the monitors to be placed at the optimal position.
- Versatile mounting options; includes desk clamp or grommet mount accommodates a variety of desk types.
- Easy assembly. Step-by-step instruction and universal hardware bag are included in the package.



### Monitor Compatibility



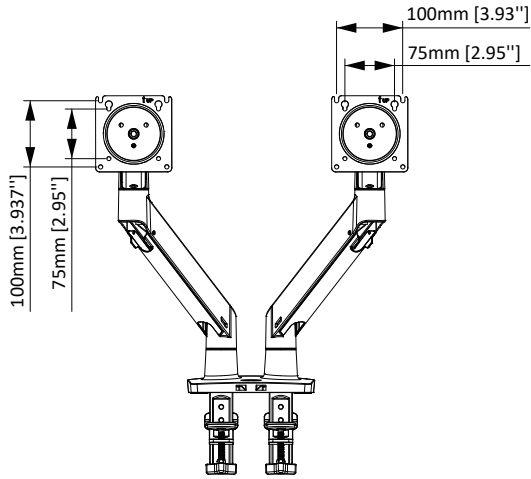
<b>Model Number</b>	<b>ERDGM3-01B</b>	<b>WARRANTY:</b>	<b>5-Year</b>
---------------------	-------------------	------------------	---------------

<b>Product Specifications</b>	DIMENSIONS (W x H x D)	PRODUCT WEIGHT	LOAD CAPACITY	FINISH	AVAILABLE COLORS
	43.3" x 20.47" x 5.31"	14.46 lbs.	4.4 to 26 lbs.	Powder Coating	Black
	1100mm x 520mm x 135mm	6.56 KG	2.0 to 11 KG		

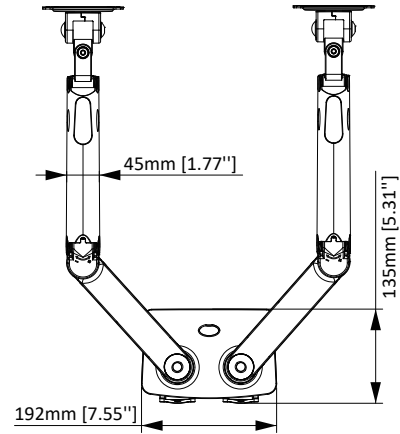
<b>Package Specifications</b>	PACKAGE SIZE (W x H x D)	PACKAGE WEIGHT	PACKAGE UPC CODE	PACKAGE CONTENTS	UNITS IN PACKAGE
	17.12" x 5.74" x 11.61"	16.09 lbs.	810082200539	Product, Manual, Parts	1 Unit
435mm x 146mm x 295mm	7.3 KG				

<b>Master Carton Specifications</b>	PACKAGE SIZE (W x H x D)	PACKAGE WEIGHT	UNITS IN CARTON		
	17.71" x 17.51" x 12.48"	49.6 lbs.			
450mm x 445mm x 317mm	22.5 KG				

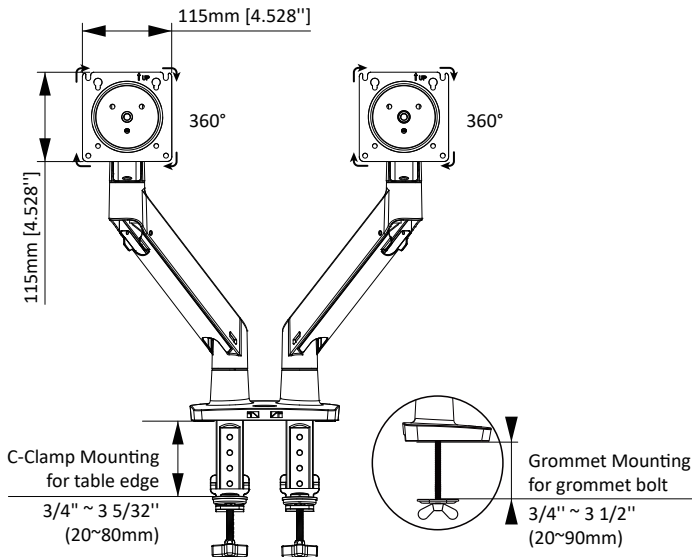
## Product Dimensions



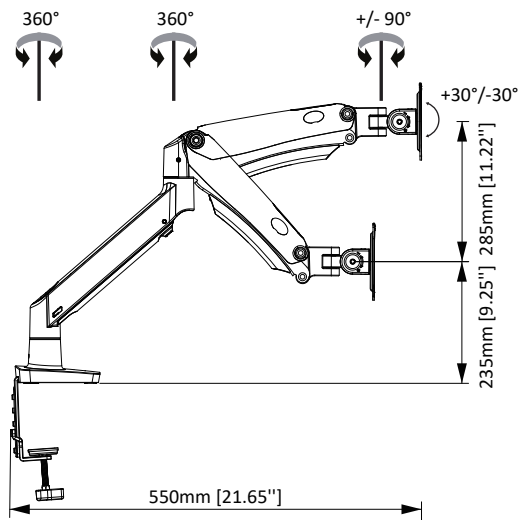
**MONITOR INTERFACE**



**TOP VIEW**



**FRONT VIEW**



**SIDE VIEW**