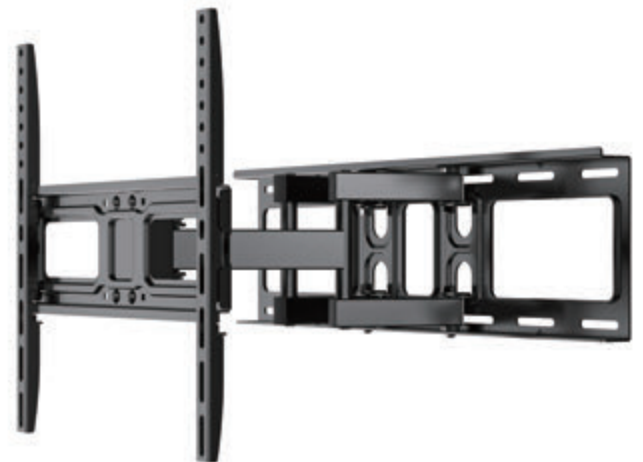




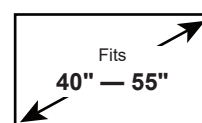
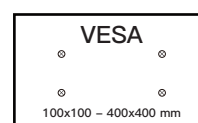
The ERMMM2-01B motion mount fits most TVs 40" to 55" and up to 99 lbs. This mount extends 15.3" from the wall and can be swiveled left or right and tilted, making it possible for you to get optimal viewing in any seating location. Level adjust allows the TV to be properly leveled after installation. This product has been safety tested and UL Certified.

## Features

- Universal Compatibility - Fits most TVs 40-55" with VESA pattern from 100 x 100mm to 400 x 400mm weighing up to 99 lbs.
- Motion Mounts allow the TV to be easily extended away from the wall, swiveled left or right and tilted, making it possible for you to get optimal viewing in any seating location.
- Level adjust allows the TV to be properly leveled after installation.
- Cable Management system creates a neat and clean appearance, even when mount is fully extended.
- Easy three step installation. Step-by-step instruction, wall plate template, and universal hardware bag are included in the package.



## TV Compatibility



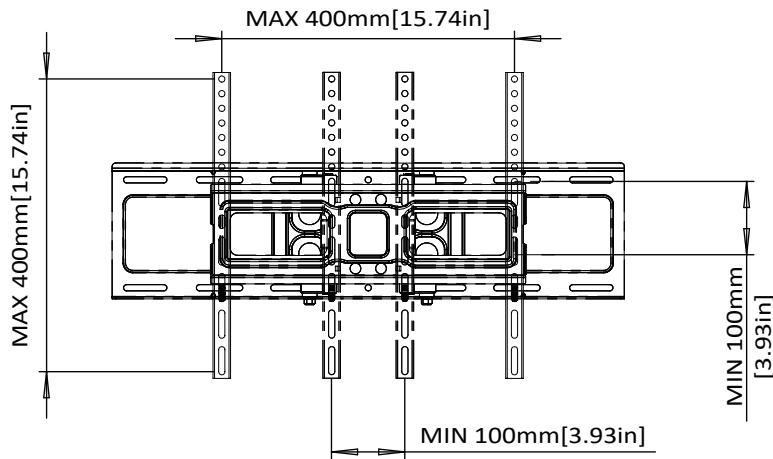
<b>Model Number</b>	<b>ERMMM2-01B</b>	<b>WARRANTY:</b>	<b>5-Year</b>
---------------------	-------------------	------------------	---------------

<b>Product Specifications</b>	DIMENSIONS (W x H x D)	PRODUCT WEIGHT	LOAD CAPACITY	FINISH	AVAILABLE COLORS
	27.56" x 16.53" x 15.33"	12.56 lbs.	99 lbs.	Powder Coating	Black
	700mm x 420mm x 389.6mm	5.7 KG	44 KG		

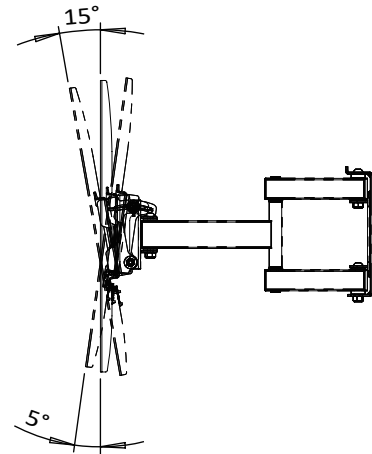
<b>Package Specifications</b>	PACKAGE SIZE (W x H x D)	PACKAGE WEIGHT	PACKAGE UPC CODE	PACKAGE CONTENTS	UNITS IN PACKAGE
	31.29" x 4.33" x 12.2"	17.19 lbs.	810082200058	Product, Manual, Mounting Template, Parts	1 Unit
795mm x 110mm x 310mm	7.8 KG				

<b>Master Carton Specifications</b>	PACKAGE SIZE (W x H x D)	PACKAGE WEIGHT	UNITS IN CARTON	
	31.88" x 9.64" x 12.99"	36.77 lbs.		
810mm x 245mm x 330mm	16.68 KG			

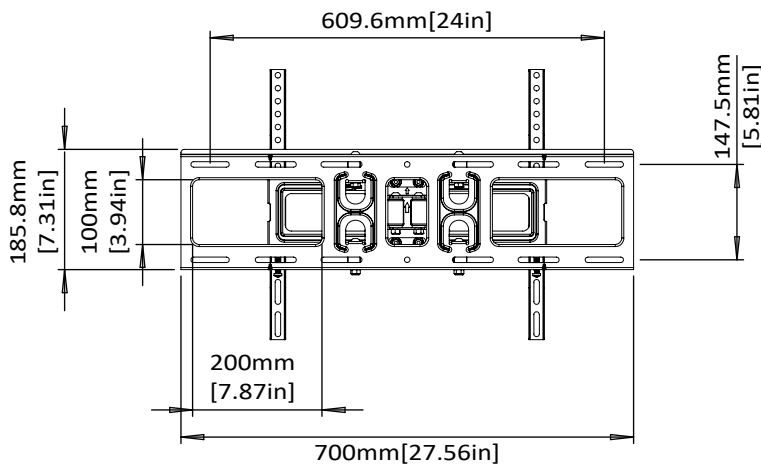
### Product Dimensions



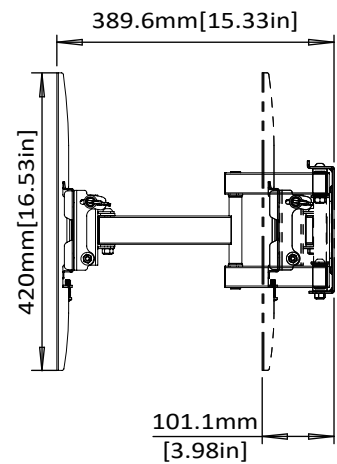
**TV INTERFACE**



**SIDE VIEW - TILTING**



**WALL PLATE**



**SIDE VIEW**