



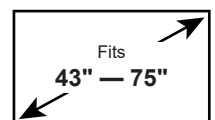
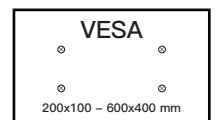
The ERMCL1-01B ceiling mount fits most TVs 43" to 75" and up to 132 lbs. Tilt and swivel functionality helps with reducing reflections and enhances the viewing experience. 9" of height adjustment allows TV to be at the optimal height. Level adjust allows the TV to be properly leveled after installation. This product has been safety tested and UL Certified.

Features

- Universal Compatibility - Fits most 43" - 75" TVs with VESA pattern from 200 x 100 mm to 600 x 400mm weighing up to 132 lbs.
- Tilt and swivel functionality helps with reducing reflections and enhances the viewing experience
- 9" of height adjustment allows TV to be at the optimal height.
- Level adjust allows the TV to be properly leveled after installation.
- Easy installation. Step-by-step instruction and universal hardware bag are included in the package.



TV Compatibility



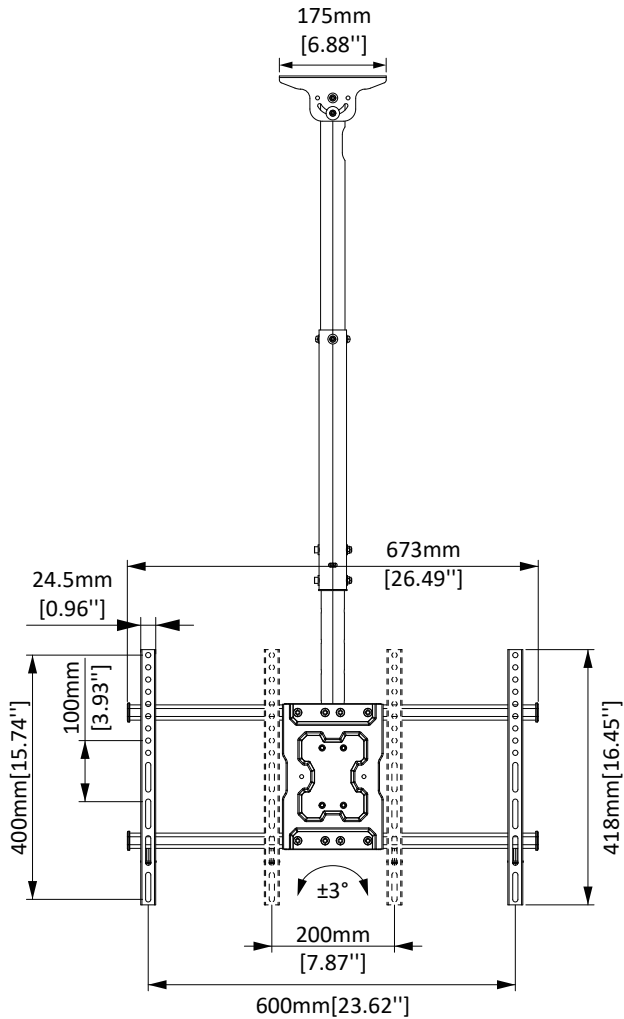
Model Number	ERMCL1-01B	WARRANTY:	5-Year
---------------------	-------------------	------------------	---------------

Product Specifications	DIMENSIONS (W x H x D)	PRODUCT WEIGHT	LOAD CAPACITY	FINISH	AVAILABLE COLORS
	26.49" x 53.46" x 3.66"	9.65 lbs.	132 lbs.	Powder Coating	Black
	673mm x 1358mm x 93mm	4.38 KG	60 KG		

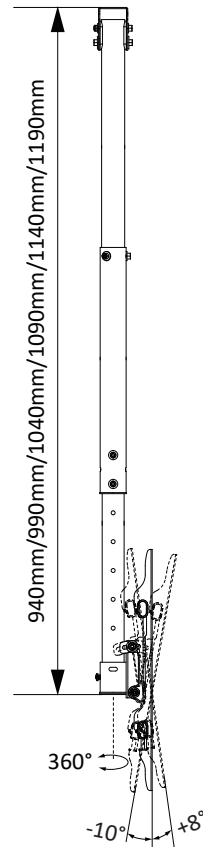
Package Specifications	PACKAGE SIZE (W x H x D)	PACKAGE WEIGHT	PACKAGE UPC CODE	PACKAGE CONTENTS	UNITS IN PACKAGE
	18.38" x 4.33" x 9.76"	11.94 lbs.	810082200133	Product, Manual, Parts	1 Unit
467mm x 110mm x 248mm	5.42 KG				

Master Carton Specifications	PACKAGE SIZE (W x H x D)	PACKAGE WEIGHT	UNITS IN CARTON		
	18.7" x 10.62" x 18.5"	49.4 lbs.			4 Unit
475mm x 270mm x 470mm	22.41 KG				

Product Dimensions



FRONT VIEW



SIDE VIEW