



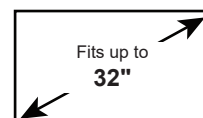
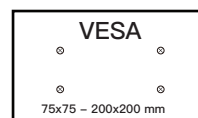
The ERMMS1-01B motion mount fits most TVs up to 32" and up to 44 lbs. This single stud mount extends 14.5" from the wall and can be swiveled left or right and tilted, making it possible for you to get optimal viewing in any seating location. Level adjust allows the TV to be properly leveled after installation. This product has been safety tested and UL Certified.

Features

- Universal Compatibility - Fits most TVs up to 32" with VESA pattern from 75 x 75mm to 200 X 200mm weighing up to 44 lbs.
- Motion Mounts allow the TV to be easily extended away from the wall, swiveled left or right and tilted, making it possible for you to get optimal viewing in any seating location.
- Level adjust allows the TV to be properly leveled after installation.
- Cable Management system creates a neat and clean appearance, even when mount is fully extended.
- Easy three step installation. Step-by-step instruction, all installation parts are included in the package.



TV Compatibility



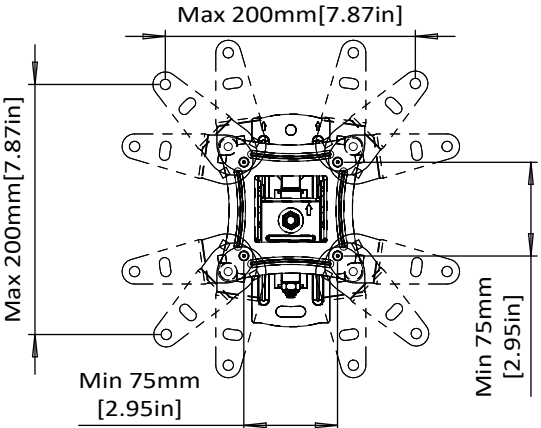
Model Number	ERMMS1-01B	WARRANTY:	5-Year
---------------------	-------------------	------------------	---------------

Product Specifications	DIMENSIONS (W x H x D)	PRODUCT WEIGHT	LOAD CAPACITY	FINISH	AVAILABLE COLORS
	8.66" x 8.66" x 14.58"	2.31 lbs.	44 lbs.	Powder Coating	Black
	220mm x 220mm x 370.5mm	1.05 KG	19.9 KG		

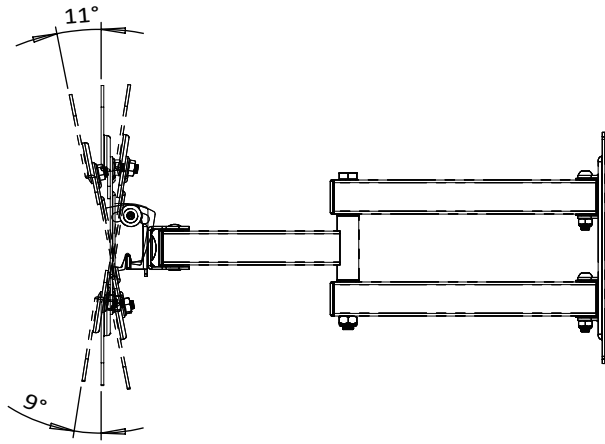
Package Specifications	PACKAGE SIZE (W x H x D)	PACKAGE WEIGHT	PACKAGE UPC CODE	PACKAGE CONTENTS	UNITS IN PACKAGE
	9.84" x 2.44" x 7.08"	3.41 lbs.	810082200010	Product, Manual, Mounting Template, Parts	1 Unit
250mm x 62mm x 180mm	1.55 KG				

Master Carton Specifications	PACKAGE SIZE (W x H x D)	PACKAGE WEIGHT	UNITS IN CARTON		
	14.96" x 7.87" x 10.62"	21.51 lbs.			
380mm x 200mm x 270mm	9.76 KG				

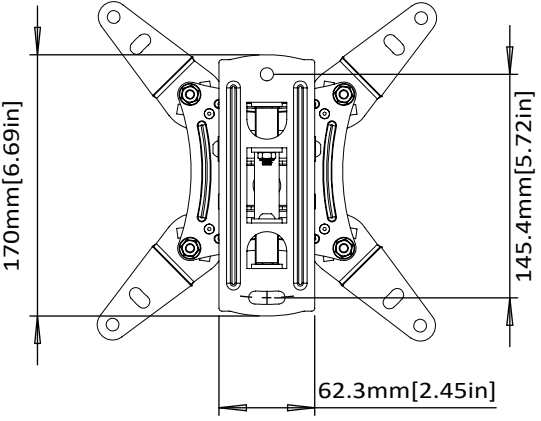
Product Dimensions



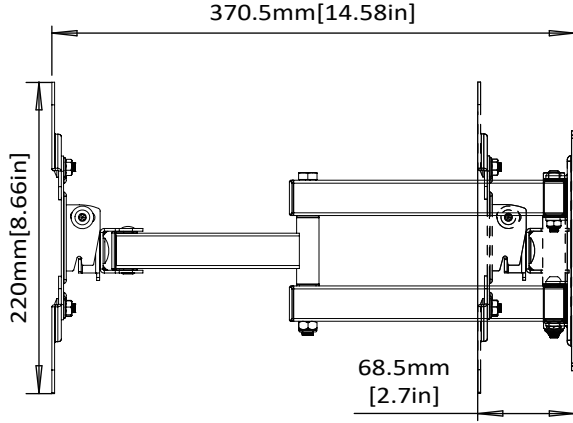
TV INTERFACE



SIDE VIEW - TILTING



WALL PLATE



SIDE VIEW